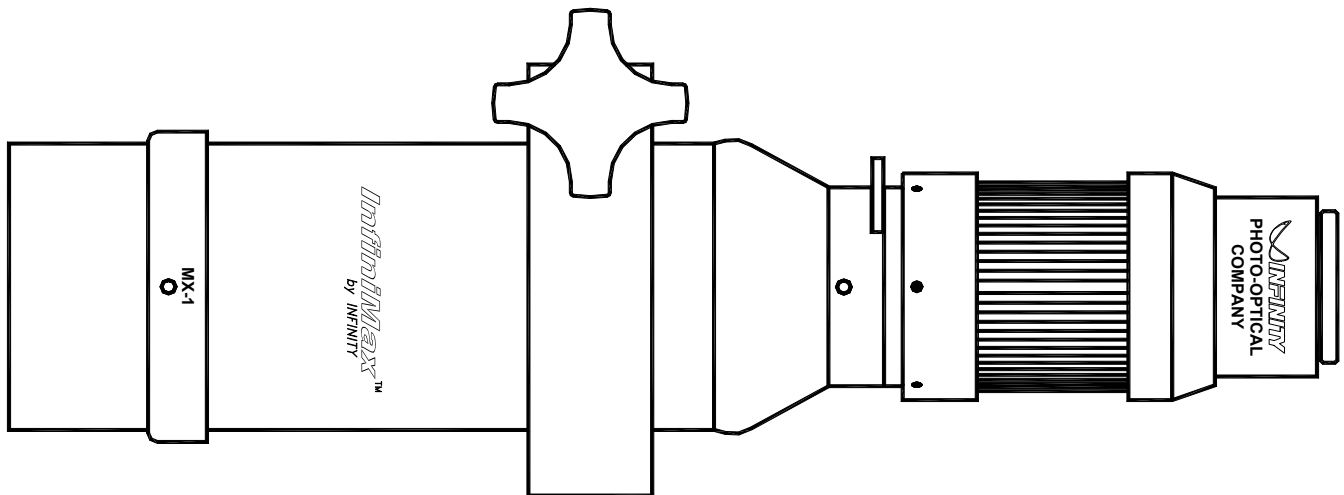


Model KX InfiniMax™

Long-Distance Microscope System



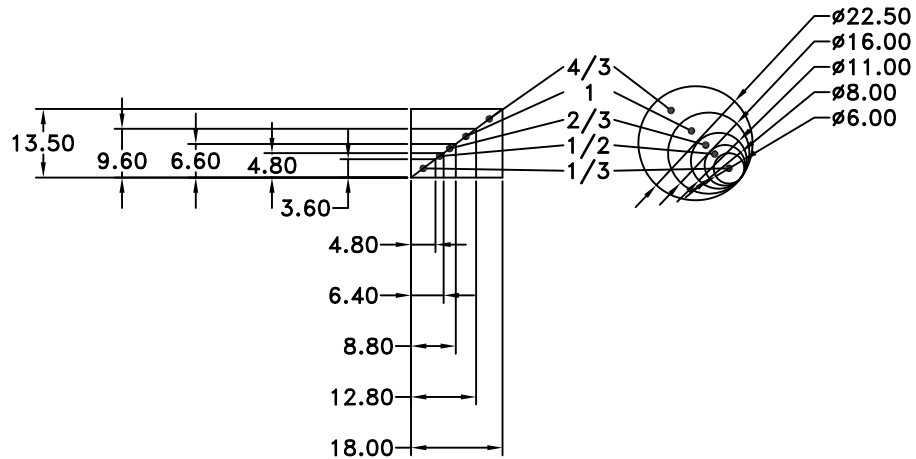
InfiniMax™ Long Distance Microscope

General Description. The InfiniMax is a developmental offshoot of our latest Model KC. While the KC's AVS System is located in the traditional position, the InfiniMax, uses Infinity's latest AVS patent with the AVS system placed in a unique, "balanced" position that maintains virtually the same magnification within the specified focusing range for each objective. With performance second only to Infinity's own Models K2 and KV, InfiniMax rivals even the best telecentric lenses, making it ideally suited for high-resolution gauging/measuring applications. Six MX-Series objectives attach to the InfiniMax Main Body to obtain six basic magnification choices. Ranging InfiniMax's focus provides virtually the same magnification, regardless of working distance.

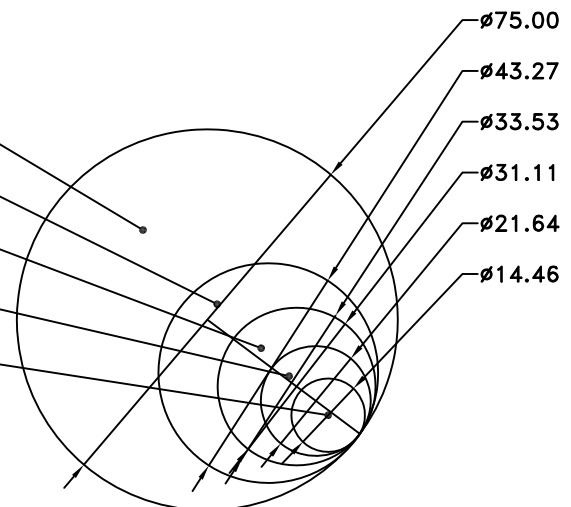
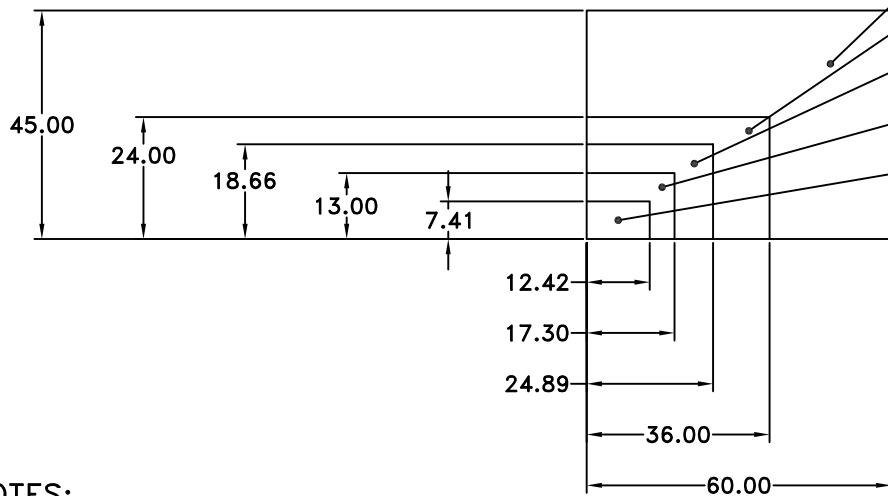
Formats. Directly, InfiniMax can be used with video formats up to 1-in. With the Large Format Adapter (LFA), InfiniMax can be used with video and photo formats up to 36x43mm (35mm SLR cameras or very large video formats).

Focus-lock. InfiniMax contains an integral Focus-lock that operates as a friction brake. The Focus-lock is activated by loosening the three setscrews on the Lock Ring and the single setscrew on the tube above it. Then, by holding *both* the engraved scaled Lock Ring and fluted Focusing Ring, turn counterclockwise up tight against the tube above it. To set the lock, retighten the setscrews located on the Lock Ring the setscrew on the tube above it. Reverse the procedure to unlock. This procedure also allows the user to select the amount of rotational tension for focusing.

Care and Cleaning. The InfiniMax should be treated as the fine optical instrument that it is. Care should be taken to keep dust and dirt off external lens surfaces. The unit can be cleaned (metal parts only) by a cloth moistened with alcohol. The external optical surfaces should be cleaned only when necessary, and then, only by a soft cotton swab moistened by an approved optical glass cleaner. If you have further questions, please contact Infinity Photo-Optical Company or your authorized dealer.



REVISIONS				
ZONE	REV	DESCRIPTION	DATE	APPROVED



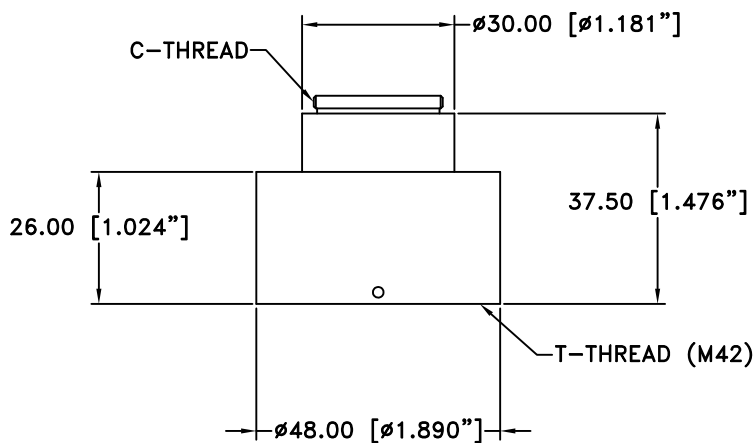
NOTES:
1. SENSOR SIZE & IMAGE CIRCLE
IN MILLIMETERS.

ALL DIM ARE mm
[inches] AND ARE FOR
REFERENCE ONLY AND
ARE SUBJECT TO
CHANGE.

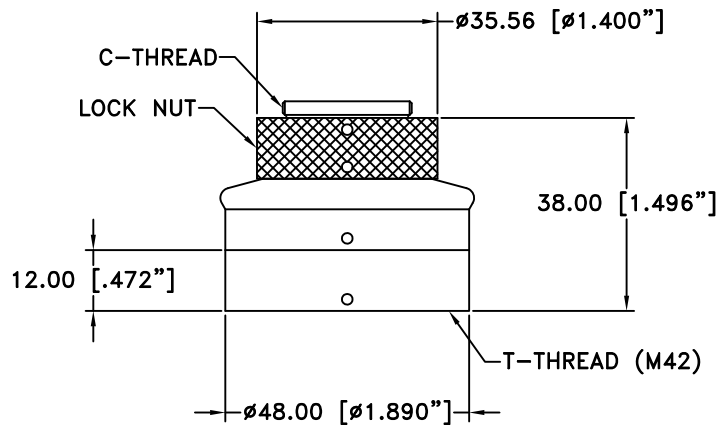
INFINITY Photo-Optical Company
www.infinity-usa.com

SENSOR SIZE AND IMAGE CIRCLE

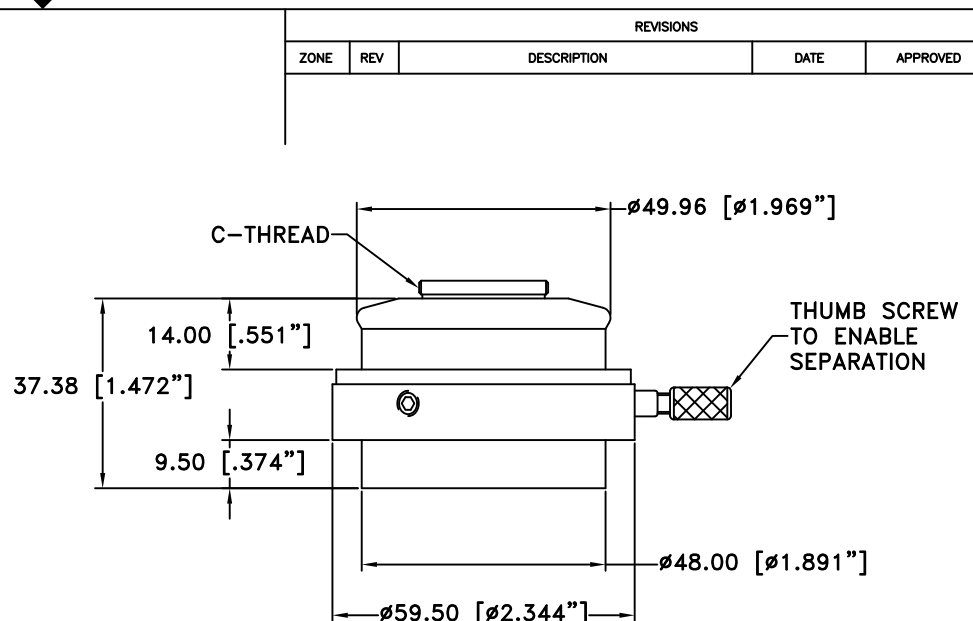
Date: 08/27/21 MB	SIZE B	FSCM NO.	DWG NO. -	REV -
Modified:	SCALE 1:1	-	SHEET 1 OF 1	



**770507
C-MOUNT VIDEO ADAPTER**



**770511
STANDARD ROTATABLE C-MOUNT**



**770509
ORIENTABLE AND SEPARABLE
C-MOUNT VIDEO ADAPTER**

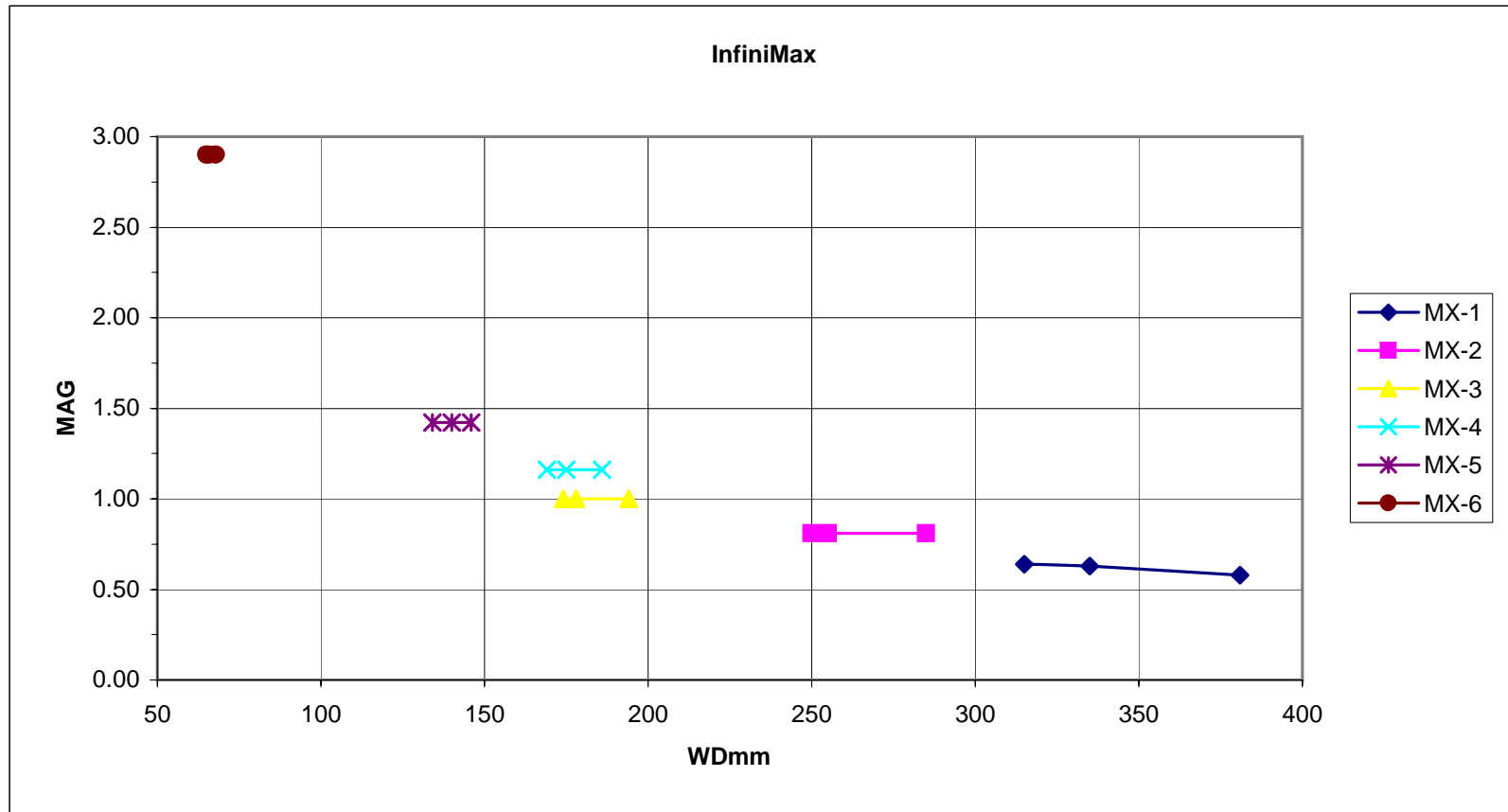
REVISIONS				
ZONE	REV	DESCRIPTION	DATE	APPROVED

**This drawing is for informational purposes only.
No other rights or privileges are granted or implied.**

ALL DIM ARE mm [inches] AND ARE FOR REFERENCE ONLY AND ARE SUBJECT TO CHANGE.	 www.infinity-usa.com			
	C-MOUNT VIDEO ADAPTERS			
Date: 10/30/17 MB	SIZE B	FSCM NO.	DWG NO. -	REV -
Modified:	SCALE NONE	-	SHEET 1 OF 1	

InfiniMax™ OPTICAL DATA

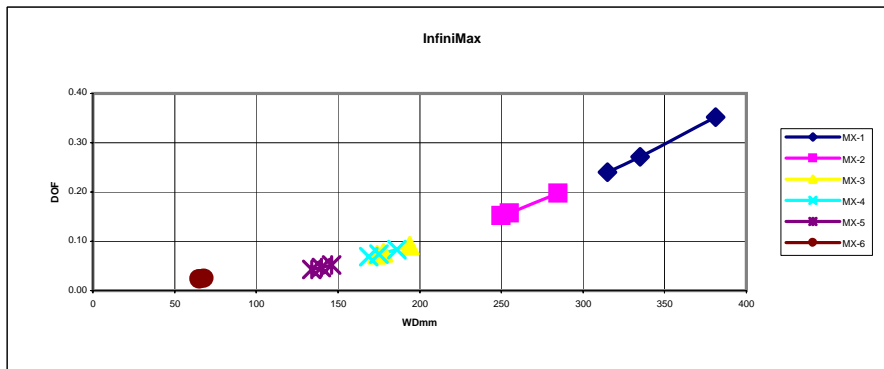
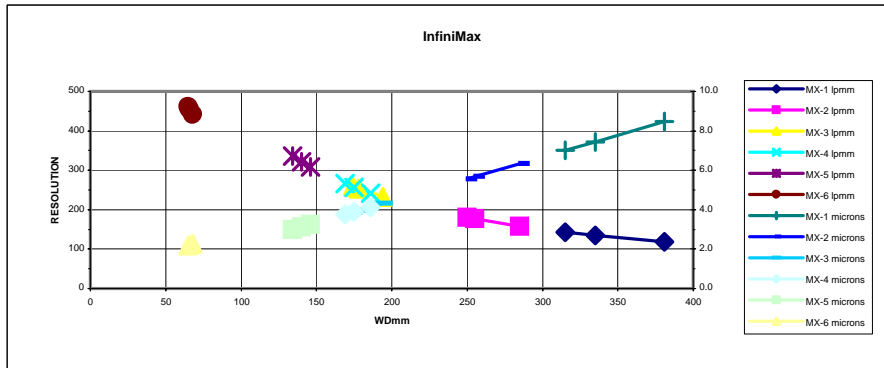
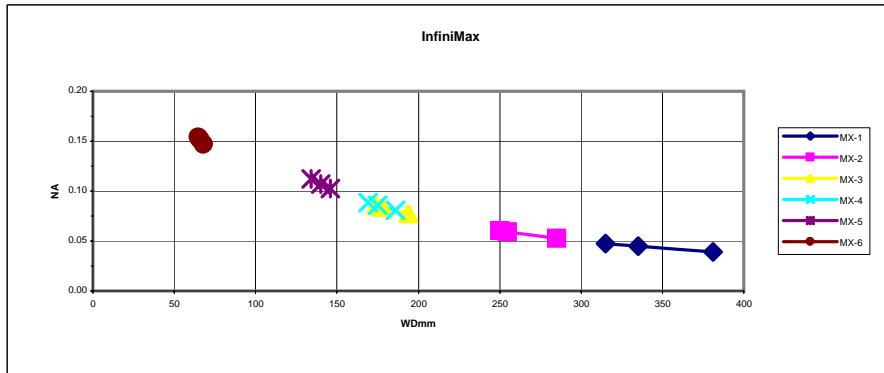
InfiniMax	Objective	MX-1			MX-2			MX-3			MX-4			MX-5			MX-6		
		Near	Mid	Far	Near	Mid	Far	Near	Mid	Far	Near	Mid	Far	Near	Mid	Far	Near	Mid	Far
	WDmm	315	335	381	250	255	285	174	178	194	169	175	186	134	140	146	65	66	68
	MAG	0.64	0.63	0.58	0.81	0.81	0.81	1.00	1.00	1.00	1.16	1.16	1.16	1.42	1.42	1.42	2.90	2.90	2.90
	FOVmm	10.0	10.2	11.0	7.9	7.9	7.9	6.4	6.4	6.4	5.5	5.5	5.5	4.5	4.5	4.5	2.2	2.2	2.2

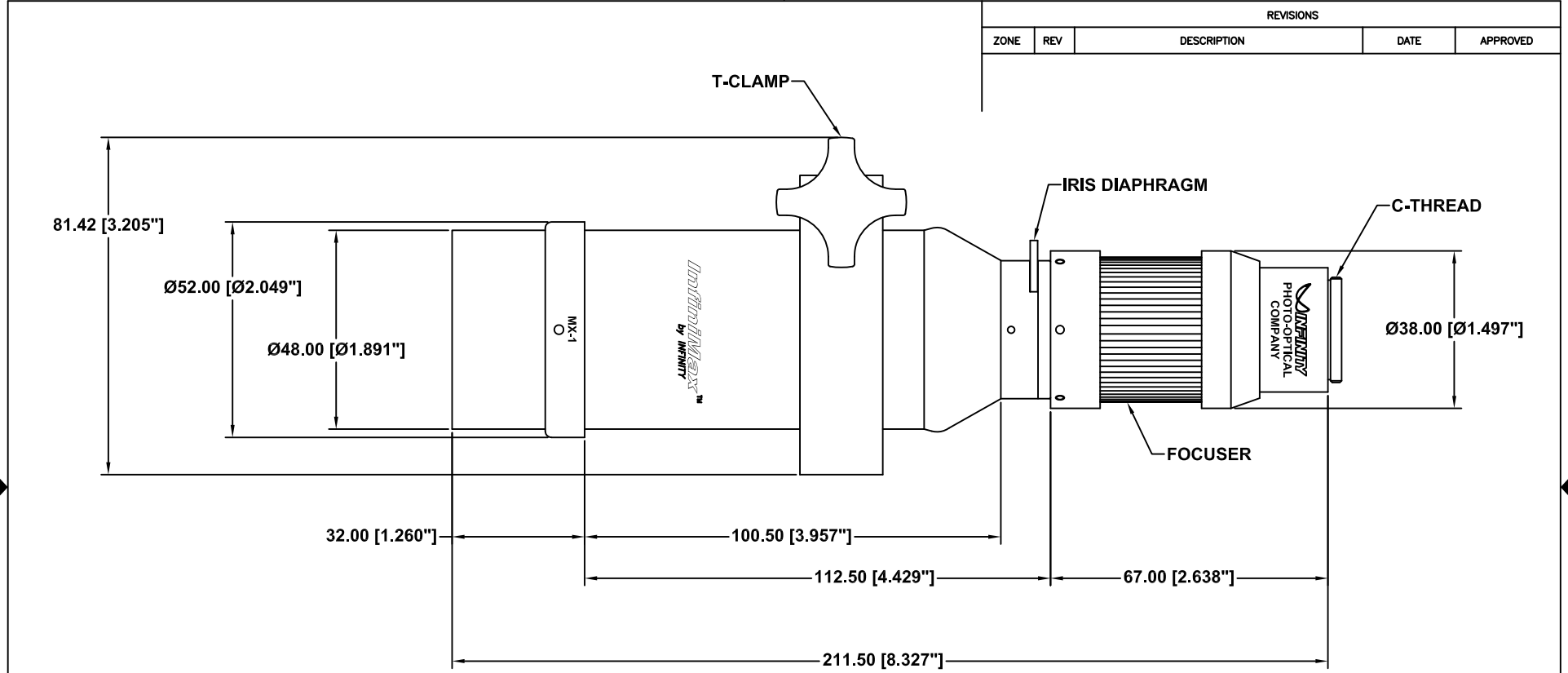


Field of View for 1/2-in. CCD Format camera.

InfiniMax™ OPTICAL RESOLUTION DATA

InfiniMax	Objective	MX-1			MX-2			MX-3			MX-4			MX-5			MX-6		
		Near	Mid	Far	Near	Mid	Far	Near	Mid	Far	Near	Mid	Far	Near	Mid	Far	Near	Mid	Far
	WDmm	315	335	381	250	255	285	174	178	194	169	175	186	134	140	146	65	66	68
	MAG	0.64	0.63	0.58	0.81	0.81	0.78	1.00	1.00	1.00	1.16	1.16	1.16	1.42	1.42	1.42	2.90	2.90	2.90
	NA	0.05	0.04	0.04	0.06	0.06	0.05	0.09	0.08	0.08	0.09	0.09	0.08	0.11	0.11	0.10	0.15	0.15	0.15
	Resolution (lpmm)	143	134	118	180	176	158	259	253	232	266	257	242	336	321	308	462	455	441
	Resolution (microns)	7.0	7.4	8.5	5.6	5.7	6.3	3.9	4.0	4.3	3.8	3.9	4.1	3.0	3.1	3.2	2.2	2.2	2.3
	DOFmm	0.24	0.27	0.35	0.15	0.16	0.20	0.07	0.08	0.09	0.07	0.07	0.08	0.043	0.047	0.051	0.023	0.024	0.025



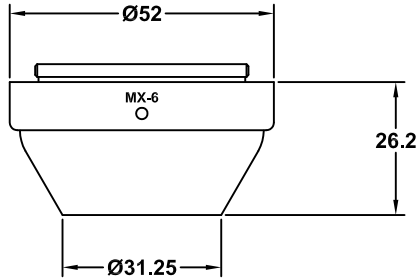
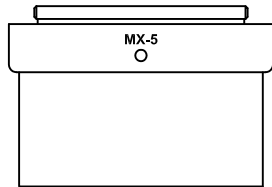
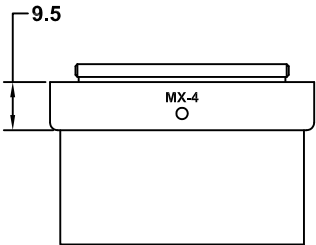
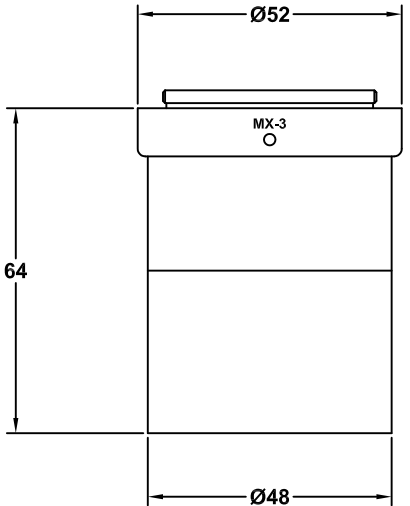
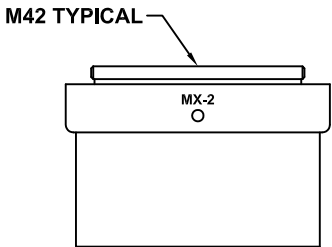
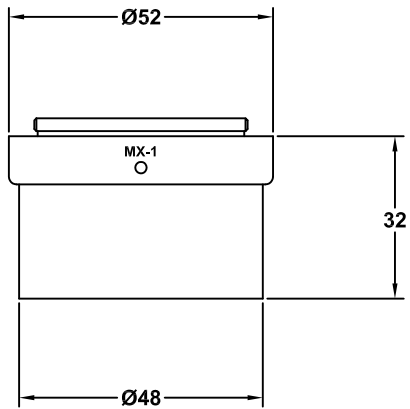
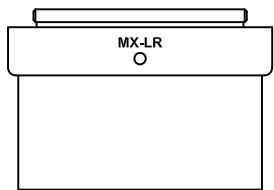


REVISIONS				
ZONE	REV	DESCRIPTION	DATE	APPROVED

NOTE:
 1. INFINIMAX SHOWN WITH MX-1 OBJECTIVE.

ALL DIM ARE mm [inches] AND ARE FOR REFERENCE ONLY AND ARE SUBJECT TO CHANGE.		 www.infinity-usa.com		
ASS'Y MODEL KX INFINIMAX				
Date: 01/02/12 MB		SIZE B	FSCM NO.	DWG NO. -
Modified:		SCALE NONE	-	REV -
		SHEET 1 OF 1		

REVISIONS				
ZONE	REV	DESCRIPTION	DATE	APPROVED



- NOTES:**
1. SURFACE ANODIZED BLACK.
 2. DIMS. ARE IN MILLIMETERS.
 3. SEE ATTACHED TABLES AND GRAPHS FOR SPECIFICATIONS.

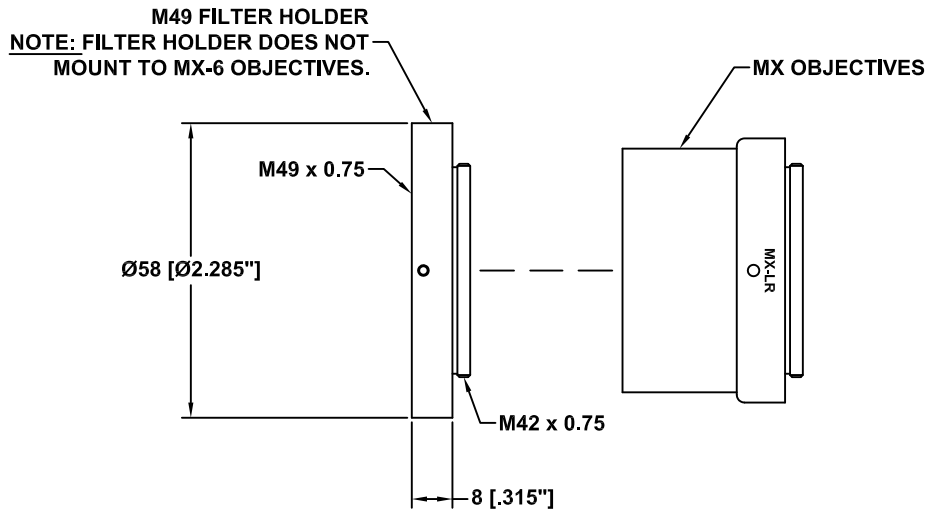
ALL DIM ARE mm [inches] AND ARE FOR REFERENCE ONLY AND ARE SUBJECT TO CHANGE.

INFINITY Photo-Optical Company
www.infinity-usa.com

MX OBJECTIVES


Date: 03/04/02 MB	SIZE B	FSCM NO.	DWG NO. -	REV B
Modified: 03/07/12 MB	SCALE NONE	-	SHEET 1 OF 1	

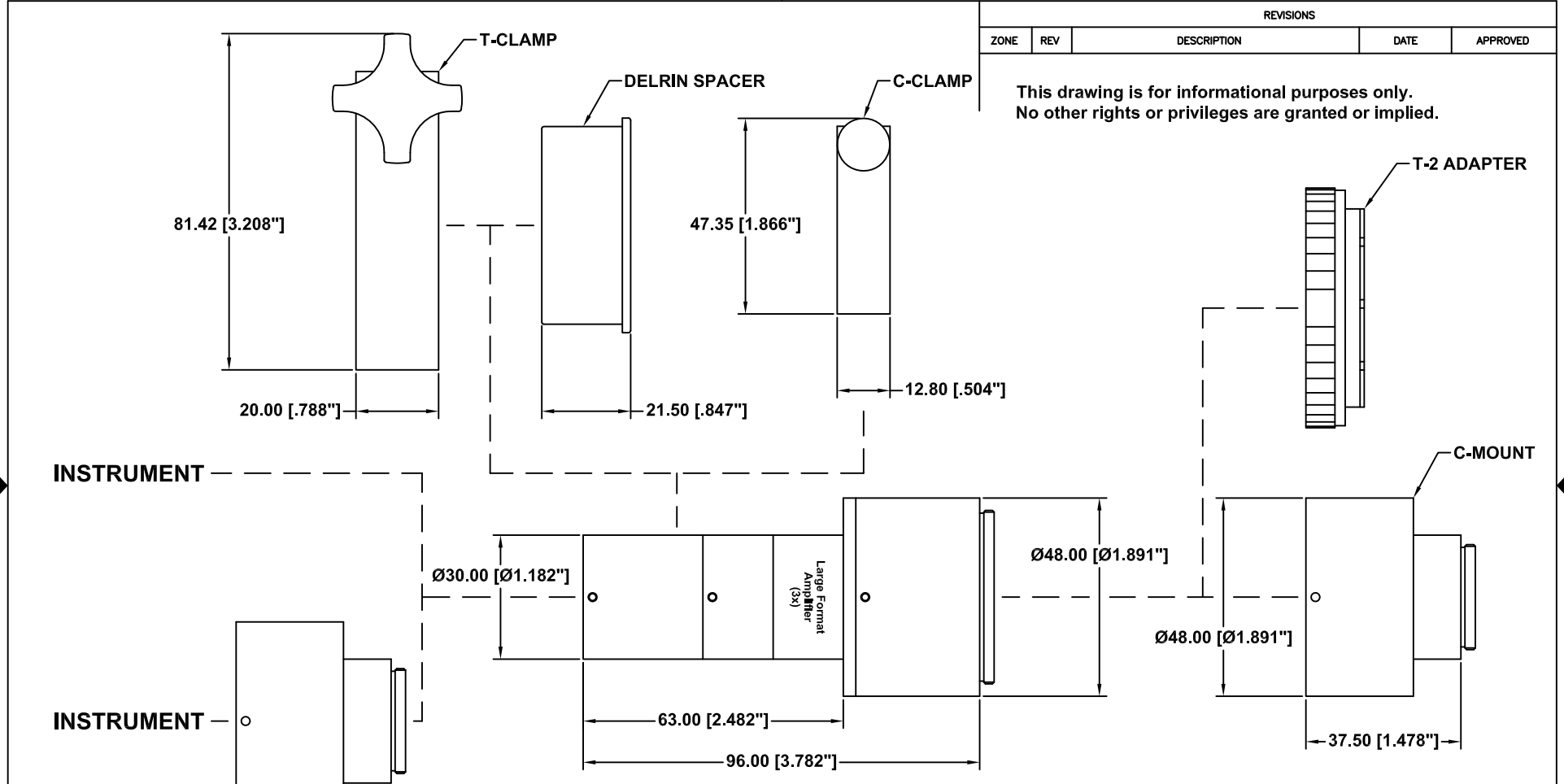
REVISIONS				
ZONE	REV	DESCRIPTION	DATE	APPROVED



NOTES:

1. MX-LR USED AS EXAMPLE.
2. FILTER CAN BE MOUNTED TO THE FOLLOWING OBJECTIVES: MX-LR, MX-1 TO MX-5.
3. DIMS. ARE IN MILLIMETERS.
4. SEE ATTACHED TABLES AND GRAPHS FOR SPECIFICATIONS.

ALL DIM ARE mm [inches] AND ARE FOR REFERENCE ONLY AND ARE SUBJECT TO CHANGE.		 INFINITY Photo-Optical Company www.infinity-usa.com		
		MX OBJECTIVE WITH M49 FILTER HOLDER		
Date: 06/25/12 MB	SIZE B	FSCM NO.	DWG NO. -	REV -
Modified:	SCALE NONE	-	SHEET 1 OF 1	



REVISIONS				
ZONE	REV	DESCRIPTION	DATE	APPROVED

This drawing is for informational purposes only.
No other rights or privileges are granted or implied.

INSTRUMENT

INSTRUMENT

NOTE:

1. THE C-CLAMP CAN BE REPLACED BY THE DELRIN SPACER AND T-CLAMP.

ALL DIM ARE mm [inches] AND ARE FOR REFERENCE ONLY AND ARE SUBJECT TO CHANGE.

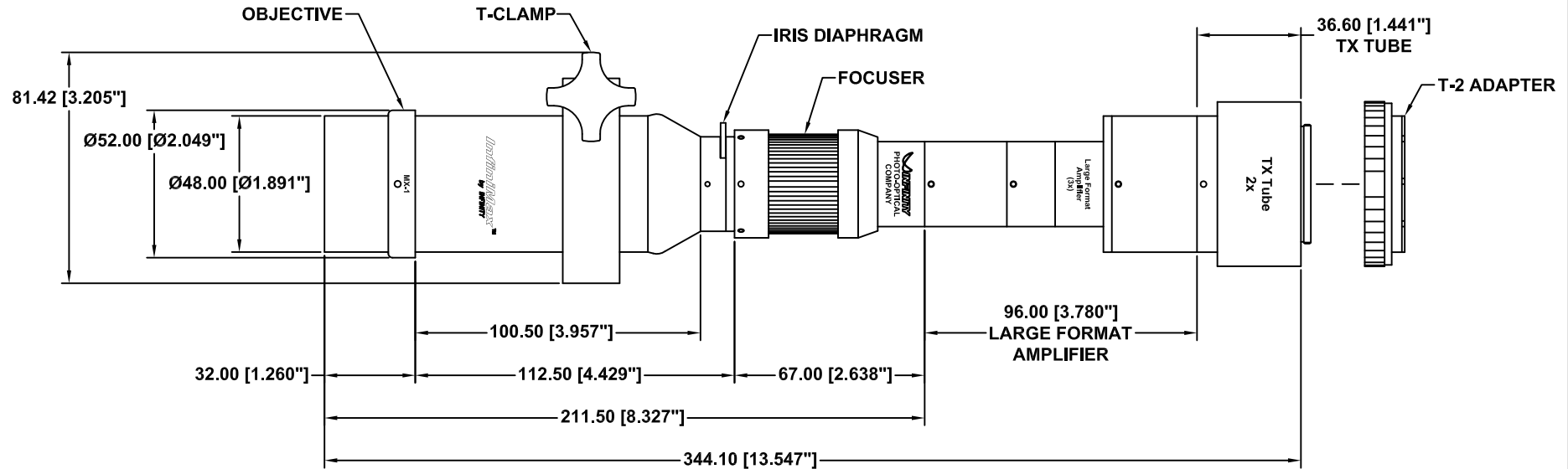
INFINITY Photo-Optical Company
www.infinity-usa.com

LARGE FORMAT AMPLIFIER

Date: 06/19/02 MB	SIZE B	FSCM NO.	DWG NO. -	REV B
Modified: 06/07/11 MB	SCALE NONE	-	SHEET 1 OF 1	

This drawing is for informational purposes only.
No other rights or privileges are granted or implied.

REVISIONS				
ZONE	REV	DESCRIPTION	DATE	APPROVED



NOTE:

1. INFINIMAX SHOWN WITH MX-1 OBJECTIVE.

ALL DIM ARE mm
[inches] AND ARE FOR
REFERENCE ONLY AND
ARE SUBJECT TO
CHANGE.

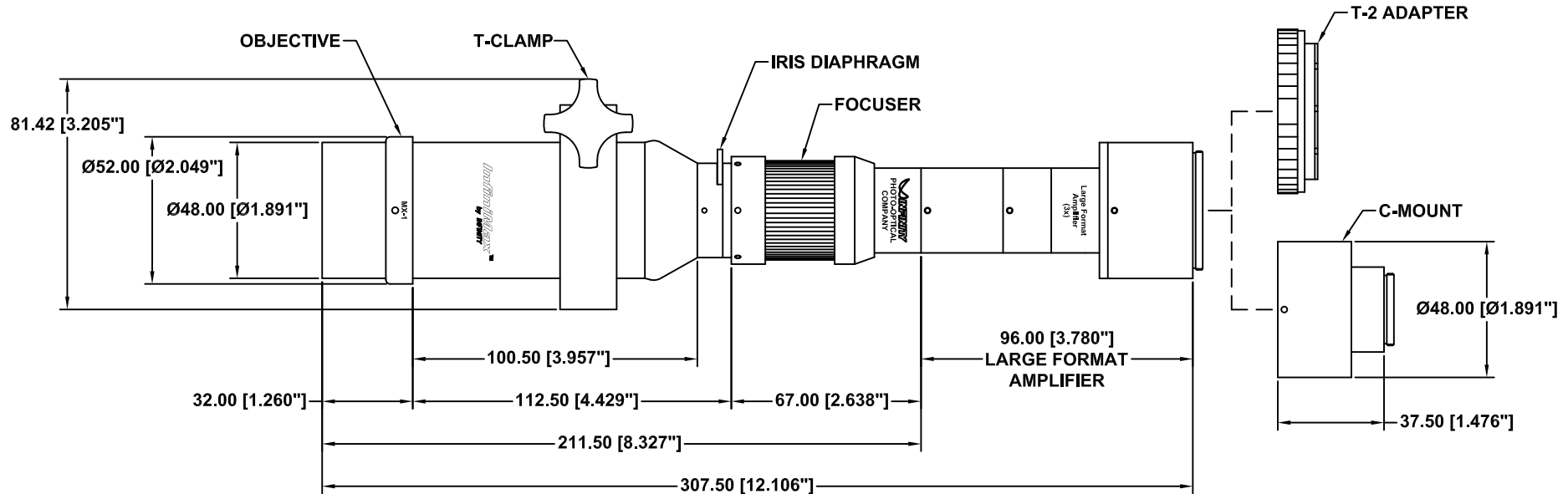
INFINITY Photo-Optical Company
www.infinity-usa.com

**MODEL KX INFINIMAX w/LARGE
FORMAT AMPLIFIER & TX TUBE**

Date: 01/02/12 MB	SIZE B	FSCM NO.	DWG NO. -	REV -
Modified: 06/25/12 MB	SCALE NONE	-	SHEET 1 OF 1	

This drawing is for informational purposes only.
No other rights or privileges are granted or implied.

REVISIONS				
ZONE	REV	DESCRIPTION	DATE	APPROVED



NOTE:

1. INFINIMAX SHOWN WITH MX-1 OBJECTIVE.

ALL DIM ARE mm
[inches] AND ARE FOR
REFERENCE ONLY AND
ARE SUBJECT TO
CHANGE.

INFINITY Photo-Optical Company
www.infinity-usa.com

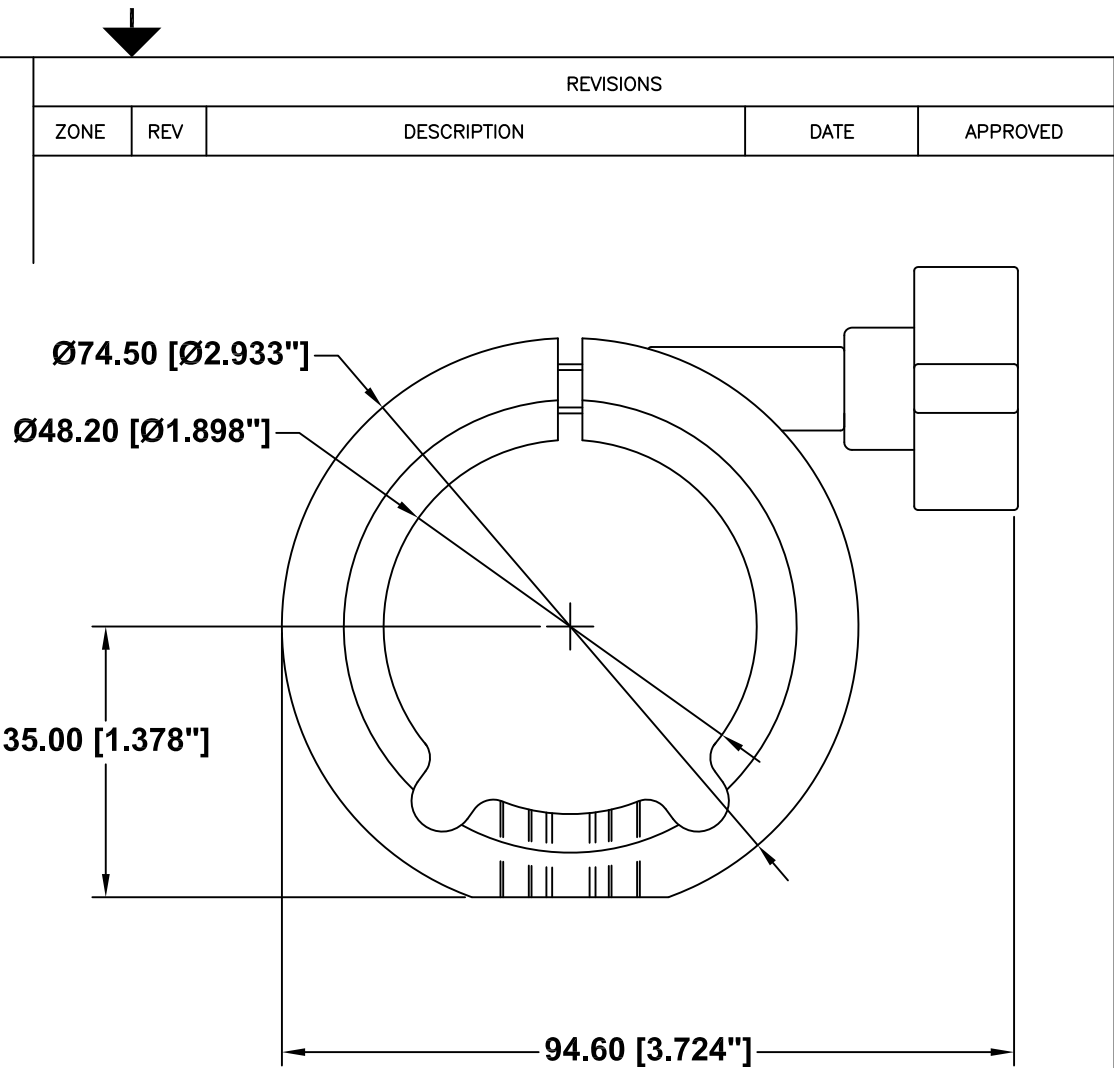
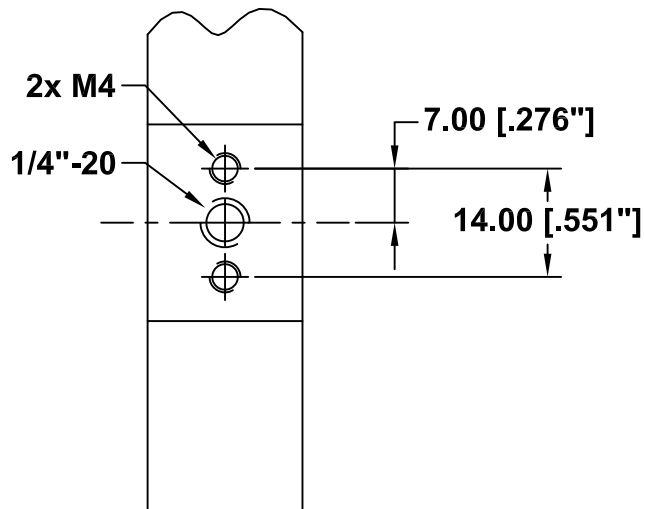
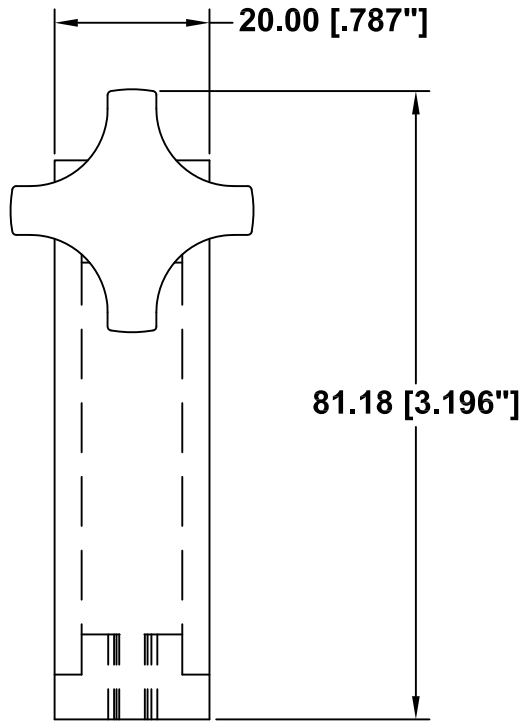
**MODEL KX INFINIMAX w/LARGE
FORMAT AMPLIFIER**

Date: 01/02/12 MB

Modified: 06/25/12 MB

SIZE B	FSCM NO.	DWG NO.	REV
SCALE NONE	-	SHEET 1 OF 1	-

This drawing is for informational purposes only.
No other rights or privileges are granted or implied.



REVISIONS				
ZONE	REV	DESCRIPTION	DATE	APPROVED

ALL DIM ARE mm
[inches] AND ARE FOR
REFERENCE ONLY AND
ARE SUBJECT TO
CHANGE.

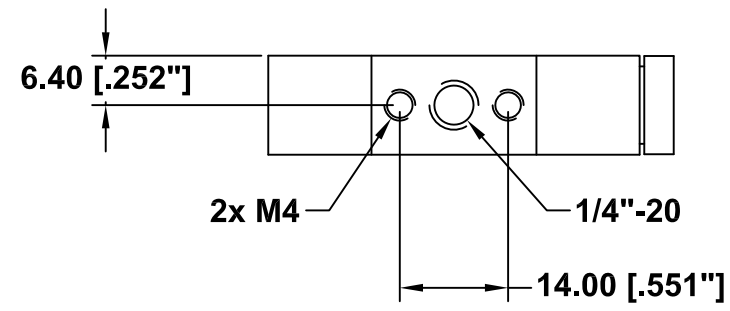
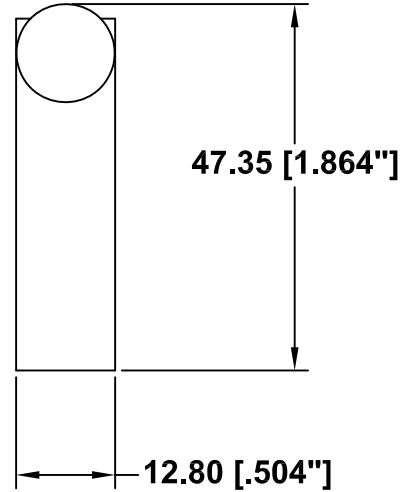
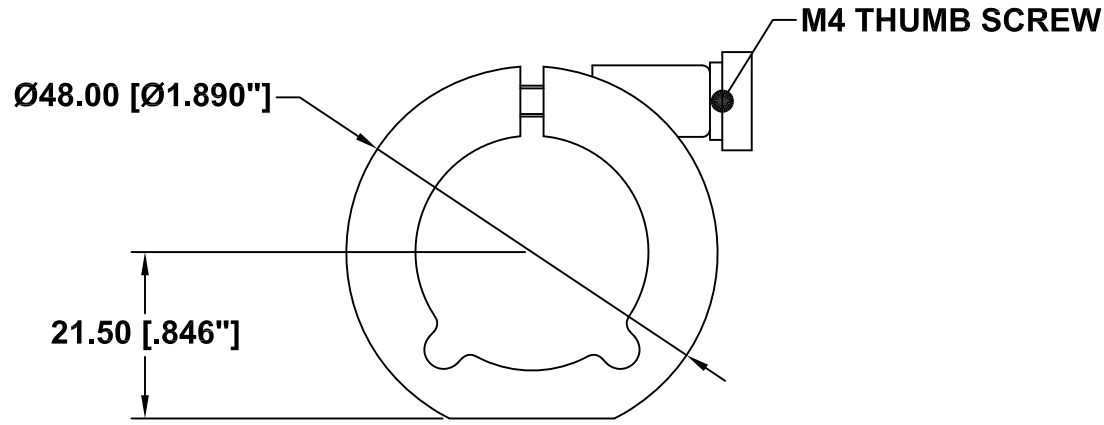
INFINITY Photo-Optical Company
www.infinity-usa.com

LARGE MOUNTING CLAMP

Date: 07/24/97 MS		SIZE A	FSCM NO.	DWG NO. 770 170	REV -
Modified: 08/10/05 MB		SCALE NONE	-	SHEET 1 OF 1	



REVISIONS				
ZONE	REV	DESCRIPTION	DATE	APPROVED



This drawing is for informational purposes only. No other rights or privileges are granted or implied.

ALL DIM ARE mm [inches] AND ARE FOR REFERENCE ONLY AND ARE SUBJECT TO CHANGE.

 **INFINITY** Photo-Optical Company
www.infinity-usa.com

SMALL MOUNTING CLAMP

Date: 03/19/01 MB		SIZE A	FSCM NO.	DWG NO. 990 171	REV A
Modified: 04/06/01 MB		SCALE NONE	SHEET 1 of 1		



INFINITY PHOTO-OPTICAL COMPANY LIMITED WARRANTY

INFINITY PHOTO-OPTICAL COMPANY hereby warrants its products to be free from defects in workmanship or materials for the warranty period set forth below. INFINITY PHOTO-OPTICAL COMPANY, at its option, shall repair or replace the defective product without cost to the purchaser, and such repair or replacement shall be the full extent of this express limited warranty. INFINITY PHOTO-OPTICAL COMPANY shall not be liable for any other damages either direct or consequential.

This warranty is made to the original purchaser, and is effective only on new equipment purchased from INFINITY PHOTO-OPTICAL COMPANY, or a dealer authorized by INFINITY PHOTO-OPTICAL COMPANY to sell the product.

This warranty is valid only when the product is returned to the authorized dealer from whom it was purchased, or returned directly to INFINITY PHOTO-OPTICAL COMPANY, freight prepaid, with proof of date of purchase.

This warranty does not extend to any defect, malfunction or failure caused by misuse, abuse or the use of the product with equipment for which it may not have been intended. Any unauthorized repair voids this warranty.

The warranty period for all products manufactured by INFINITY PHOTO-OPTICAL COMPANY is five (5) years from date of original purchase. Parts or components made or sourced from other manufacturers shall be solely covered by that manufacturer's warranty.

The warranty contained herein is the only warranty made by INFINITY PHOTO-OPTICAL COMPANY. Any implied warranty of merchantability and/or fitness for a particular purpose is expressly excluded from this warranty. INFINITY PHOTO-OPTICAL COMPANY shall not be liable for any expense, loss, incidental or consequential damages which may arise in connection with the use of this equipment. Recovery under this warranty is limited to repair or replacement of the equipment as provided above.

INFINITY PHOTO-OPTICAL COMPANY reserves the right to modify designs, equipment and accessories without notice.

RETURNING INFINITY PRODUCTS FOR SERVICE

Warranty Repairs:

If you have reason to think something is wrong or functioning improperly with your Infinity Photo-Optical product under the terms of the Warranty, please contact us to explain the problem. We can not accept items sent to us without first discussing the problem and providing you with a return merchandise authorization (RMA). Customer is responsible for delivery charges to us. We will examine the product and inform you whether or not the Warranty applies. If so, we will repair/replace the item to factory specifications free of charge. Return delivery charges will be paid by us. If the item(s) is/are deemed out of Warranty, we will advise if repairs can be made at a quoted charge. If customer refuses to authorize a charged repair, item will be returned at the customer's expense.

Repairs of Out of Warranty Products:

Often, we get requests to fix or repair products which are clearly older models out of Warranty. Before attempting to send such to us, please contact Infinity to go over what is desired. It is helpful to send us photos of the product so that we can see if there is a reasonable basis for a repair. Often, older instruments are "inherited" in a department and may have been tampered with by previous users. Infinity products obtained second-hand may have missing parts. After obtaining an RMA as detailed above for Warranty repairs, we will examine the item(s) and provide you with an estimate of charges for repair and return delivery to a level of performance agreed upon. Sometimes it is not possible to cost-effectively repair a product that has been abused or disassembled. A slight cosmetic defect may not affect performance and if so, we will not repair or replace it unless instructed to do so at additional charges. Upon your authorization for us to perform the repair, you will be charged at the price previously quoted for the service and delivery charges involved.