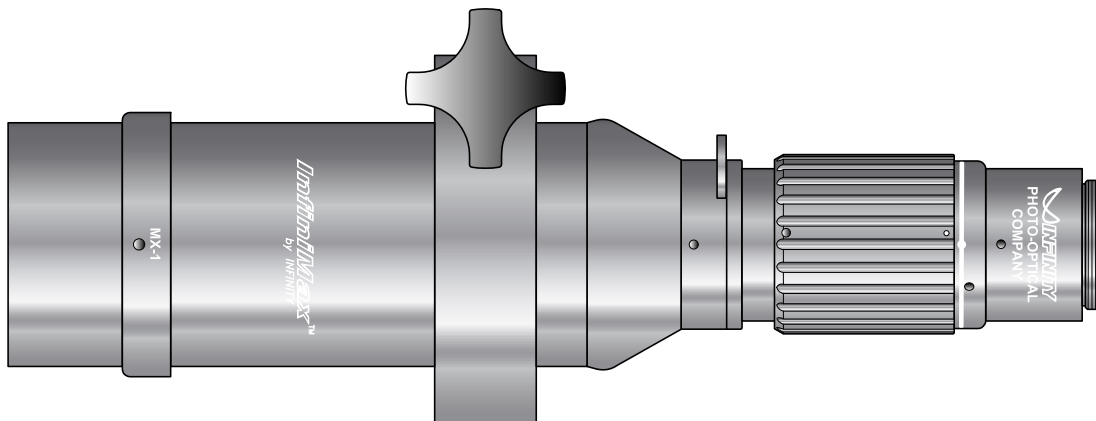


# Long-Distance Microscope System

## InfiniMax™



## InfiniMax™ Long Distance Microscope

**General Description.** The InfiniMax is a developmental offshoot of our latest Model KC. While the KC's AVS System is located in the traditional position, the InfiniMax, uses Infinity's latest AVS patent with the AVS system placed in a unique, "balanced" position that maintains virtually the same magnification within the specified focusing range for each objective. With performance second only to Infinity's own Models K2 and KV, InfiniMax rivals even the best telecentric lenses, making it ideally suited for high-resolution gauging/measuring applications. Six MX-Series objectives attach to the InfiniMax Main Body to obtain six basic magnification choices. Ranging InfiniMax's focus provides virtually the same magnification, regardless of working distance.

**Formats.** Directly, InfiniMax can be used with video formats up to 1-in. With the Large Format Adapter (LFA), InfiniMax can be used with video and photo formats up to 36x43mm (35mm SLR cameras or very large video formats).

**Focus-lock.** InfiniMax contains an integral Focus-lock that operates as a friction brake. The Focus-lock is activated by loosening the three setscrews on the Lock Ring and the single setscrew on the tube above it. Then, by holding *both* the engraved scaled Lock Ring and fluted Focusing Ring, turn counterclockwise up tight against the tube above it. To set the lock, retighten the setscrews located on the Lock Ring the setscrew on the tube above it. Reverse the procedure to unlock. This procedure also allows the user to select the amount of rotational tension for focusing.

**Care and Cleaning.** The InfiniMax should be treated as the fine optical instrument that it is. Care should be taken to keep dust and dirt off external lens surfaces. The unit can be cleaned (metal parts only) by a cloth moistened with alcohol. The external optical surfaces should be cleaned only when necessary, and then, only by a soft cotton swab moistened by an approved optical glass cleaner. If you have further questions, please contact Infinity Photo-Optical Company or your authorized dealer.

# InfiniMax™ OPTICAL DATA

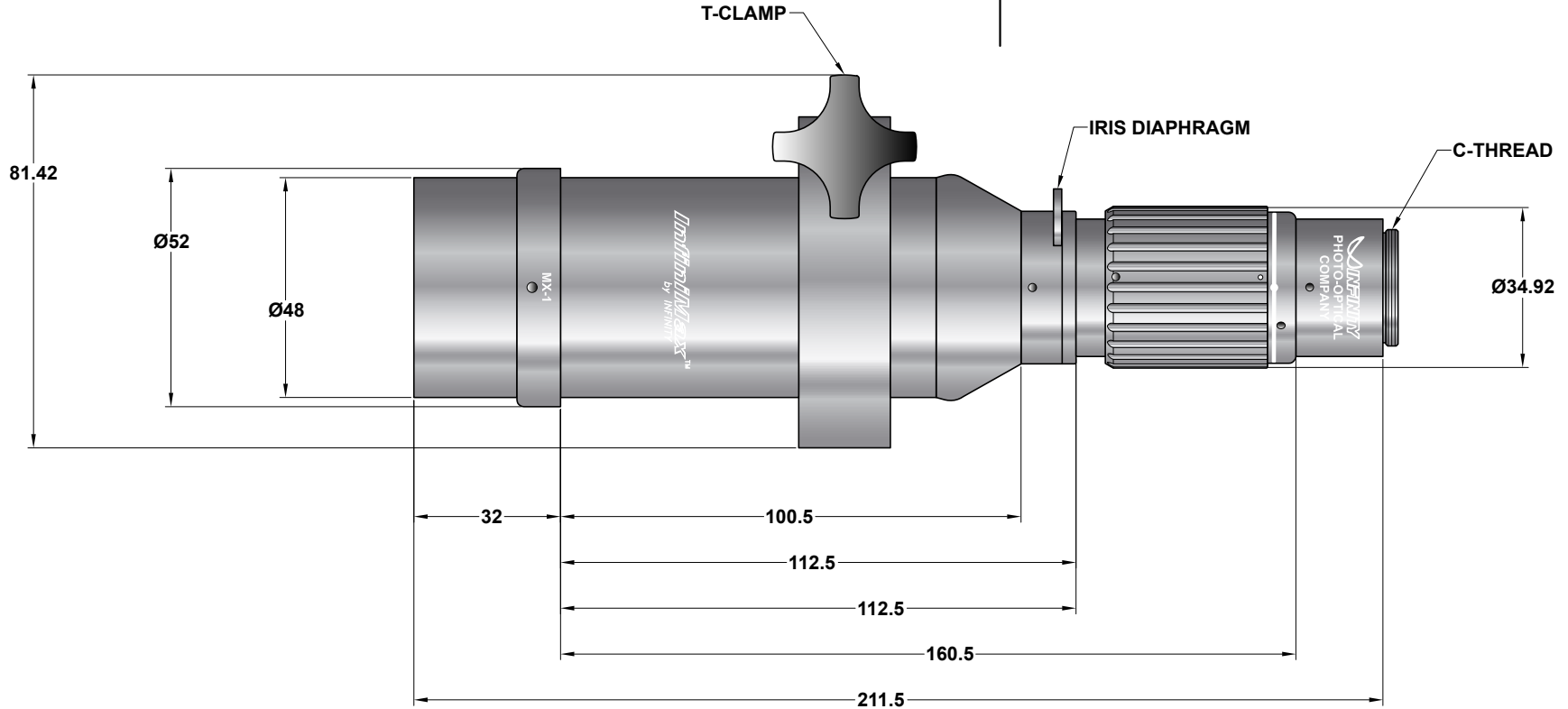
<b>InfiniMax</b>				
<b>Objective</b>	<b>Near</b>	<b>Mid</b>	<b>Far</b>	
<b>MX-1</b>	10.1	10.2	11.1	<b>FOV mm</b>
	315	335	381	<b>WD mm</b>
	0.64x	0.63x	0.58x	<b>Mag</b>
<b>MX-2</b>	7.9	7.9	8.2	<b>FOV mm</b>
	250	255	285	<b>WD mm</b>
	0.81x	0.81x	0.78x	<b>Mag</b>
<b>MX-3</b>	6.4	6.4	6.4	<b>FOV mm</b>
	174	178	194	<b>WD mm</b>
	1.00x	1.00x	1.00x	<b>Mag</b>
<b>MX-4</b>	5.5	5.5	5.5	<b>FOV mm</b>
	169	175	186	<b>WD mm</b>
	1.16x	1.16x	1.16x	<b>Mag</b>
<b>MX-5</b>	4.5	4.5	4.5	<b>FOV mm</b>
	134	140	146	<b>WD mm</b>
	1.42x	1.42x	1.42x	<b>Mag</b>
<b>MX-6</b>	2.2	2.2	2.2	<b>FOV mm</b>
	65	66	68	<b>WD mm</b>
	2.9x	2.9x	2.9x	<b>Mag</b>

Field of View for 1/2-in. CCD Format camera.

**Note: For 1/3-in. camera format reduce Field of View by 25%.**

This drawing is for informational purposes only.  
No other rights or privileges are granted or implied.

REVISIONS				
ZONE	REV	DESCRIPTION	DATE	APPROVED



**NOTE:**

1. INFINIMAX SHOWN WITH MX-1 OBJECTIVE,

ALL DIM ARE mm  
[inches] AND ARE FOR  
REFERENCE ONLY AND  
ARE SUBJECT TO  
CHANGE.

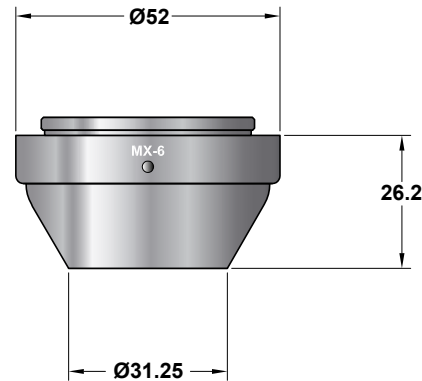
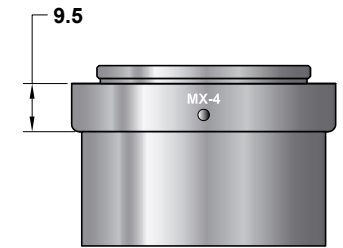
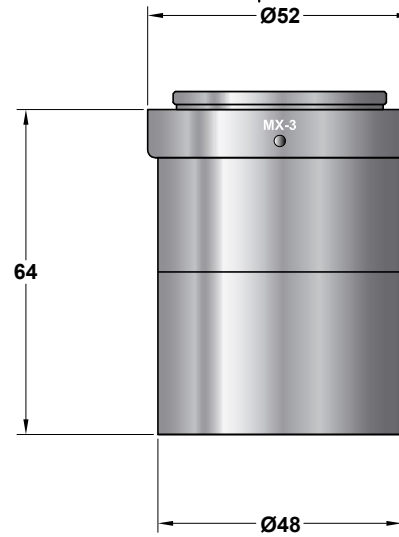
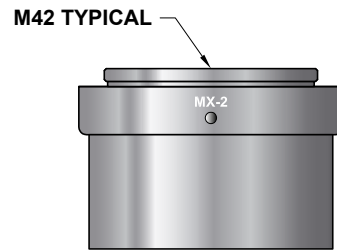
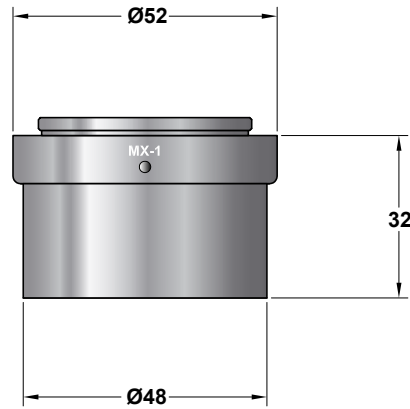
**INFINITY** Photo-Optical Company  
2530 Frontier Ave., Boulder, CO 80301  
303/440-4544 Fax 303/440-4144

**ASS'Y INFINIMAX**

Date: 09/25/01 MB	SIZE B	FSCM NO.	DWG NO. -	REV -
Modified:	SCALE NONE	-	SHEET 1 OF 1	

This drawing is for informational purposes only.  
No other rights or privileges are granted or implied.

REVISIONS				
ZONE	REV	DESCRIPTION	DATE	APPROVED



**NOTES:**

1. SURFACE ANODIZED BLACK.
2. DIMS. ARE IN MILLIMETERS.
3. SEE ATTACHED TABLES AND GRAPHS FOR SPECIFICATIONS.

ALL DIM ARE mm  
[inches] AND ARE FOR  
REFERENCE ONLY AND  
ARE SUBJECT TO  
CHANGE.

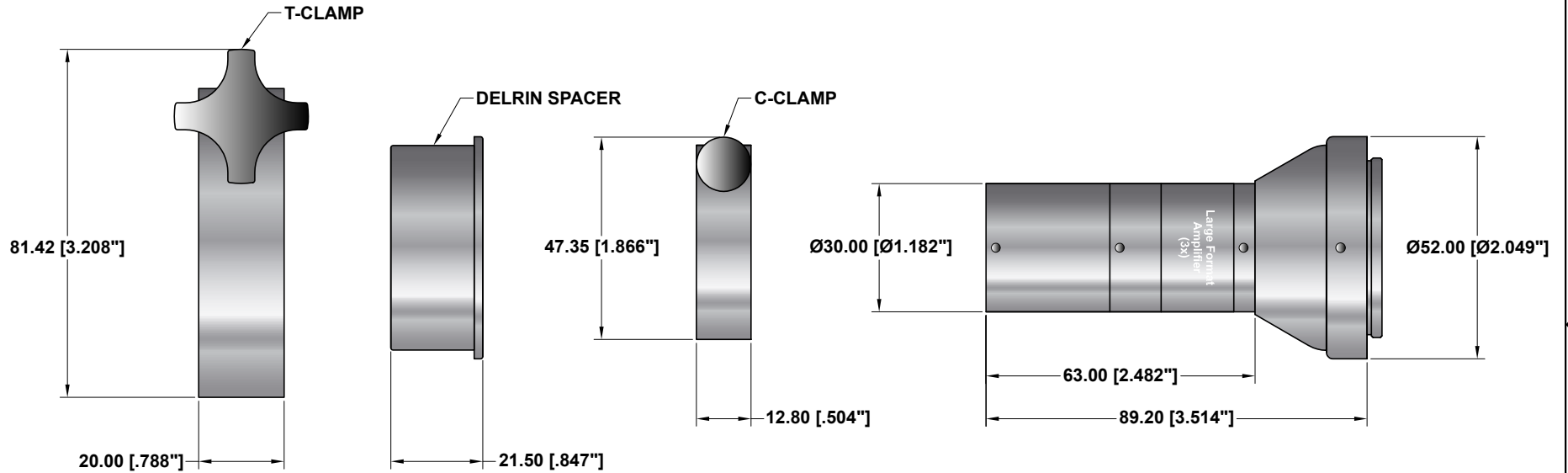
**INFINITY** Photo-Optical Company  
2530 Frontier Ave., Boulder, CO 80301  
303/440-4544 Fax 303/440-4144

**MX OBJECTIVES**

Date: 03/04/02 MB	SIZE B	FSCM NO.	DWG NO. -	REV A
Modified:	SCALE NONE	-	SHEET 1 OF 1	


This drawing is for informational purposes only.  
No other rights or privileges are granted or implied.

REVISIONS				
ZONE	REV	DESCRIPTION	DATE	APPROVED



**NOTE:**

1. THE C-CLAMP CAN BE REPLACED BY THE DELRIN SPACER AND T-CLAMP

ALL DIM ARE mm [inches] AND ARE FOR REFERENCE ONLY AND ARE SUBJECT TO CHANGE.		 <b>INFINITY</b> Photo-Optical Company 2530 Frontier Ave., Boulder, CO 80301 303/440-4544 Fax 303/440-4144		
		<b>LARGE FORMAT AMPLIFIER</b>		
Date: 06/19/02 MB	SIZE B	FSCM NO.	DWG NO. -	REV -
Modified:	SCALE NONE	-	SHEET 1 OF 2	

## **INFINITY PHOTO-OPTICAL COMPANY LIMITED WARRANTY**

INFINITY PHOTO-OPTICAL COMPANY hereby warrants its products to be free from defects in workmanship or materials for the warranty period set forth below. INFINITY PHOTO-OPTICAL COMPANY, at its option, shall repair or replace the defective product without cost to the purchaser, and such repair or replacement shall be the full extent of this express limited warranty. INFINITY PHOTO-OPTICAL COMPANY shall not be liable for any other damages either direct or consequential.

This warranty is made to the original purchaser, and is effective only on new equipment purchased from INFINITY PHOTO-OPTICAL COMPANY, or a dealer authorized by INFINITY PHOTO-OPTICAL COMPANY to sell the product.

This warranty is valid only when the product is returned to the authorized dealer from whom it was purchased, or returned directly to INFINITY PHOTO-OPTICAL COMPANY, freight prepaid, with proof of date of purchase.

This warranty does not extend to any defect, malfunction or failure caused by misuse, abuse or the use of the product with equipment for which it may not have been intended. Any unauthorized repair voids this warranty.

The warranty period for all products manufactured by INFINITY PHOTO-OPTICAL COMPANY is five (5) years from date of original purchase. Parts or components made or sourced from other manufacturers shall be solely covered by that manufacturer's warranty.

The warranty contained herein is the only warranty made by INFINITY PHOTO-OPTICAL COMPANY. Any implied warranty of merchantability and/or fitness for a particular purpose is expressly excluded from this warranty. INFINITY PHOTO-OPTICAL COMPANY shall not be liable for any expense, loss, incidental or consequential damages which may arise in connection with the use of this equipment. Recovery under this warranty is limited to repair or replacement of the equipment as provided above.

INFINITY PHOTO-OPTICAL COMPANY reserves the right to modify designs, equipment and accessories without notice.