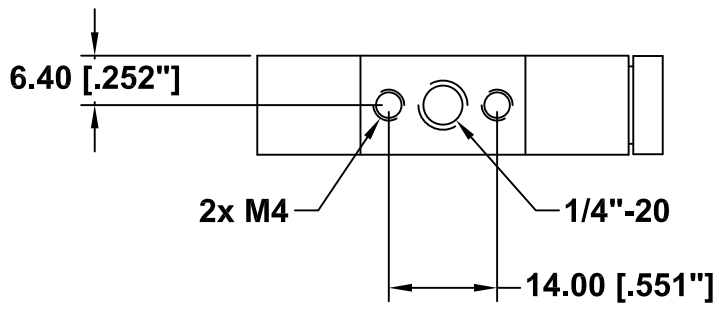
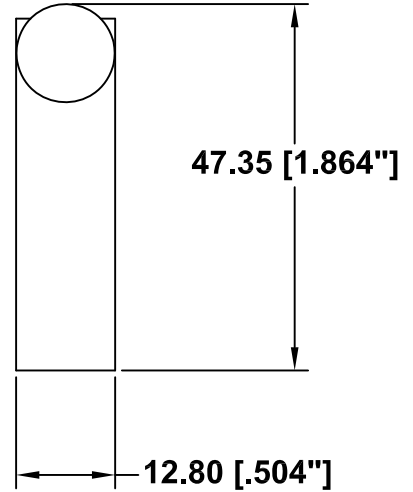
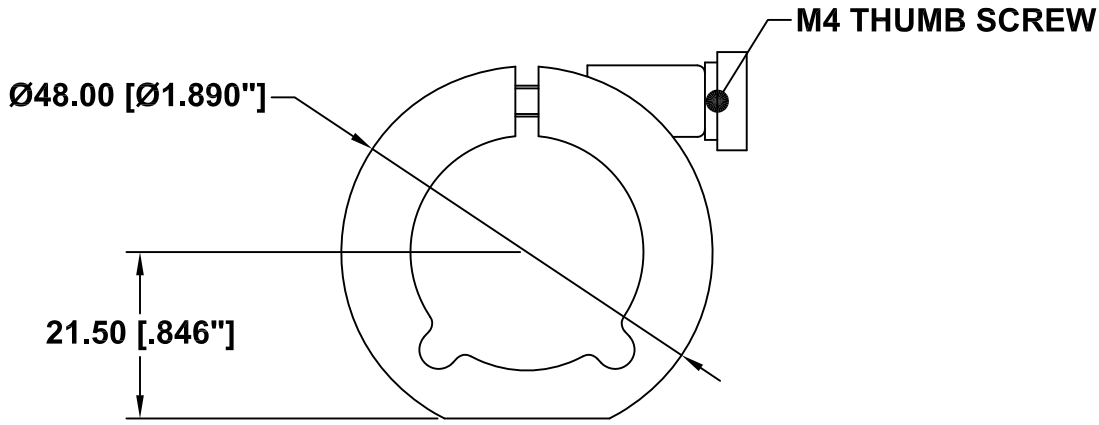


**OEM/Designer Handbook:  
Selected Accessories  
(Current Versions)**



REVISIONS				
ZONE	REV	DESCRIPTION	DATE	APPROVED



This drawing is for informational purposes only. No other rights or privileges are granted or implied.

ALL DIM ARE mm [inches] AND ARE FOR REFERENCE ONLY AND ARE SUBJECT TO CHANGE.

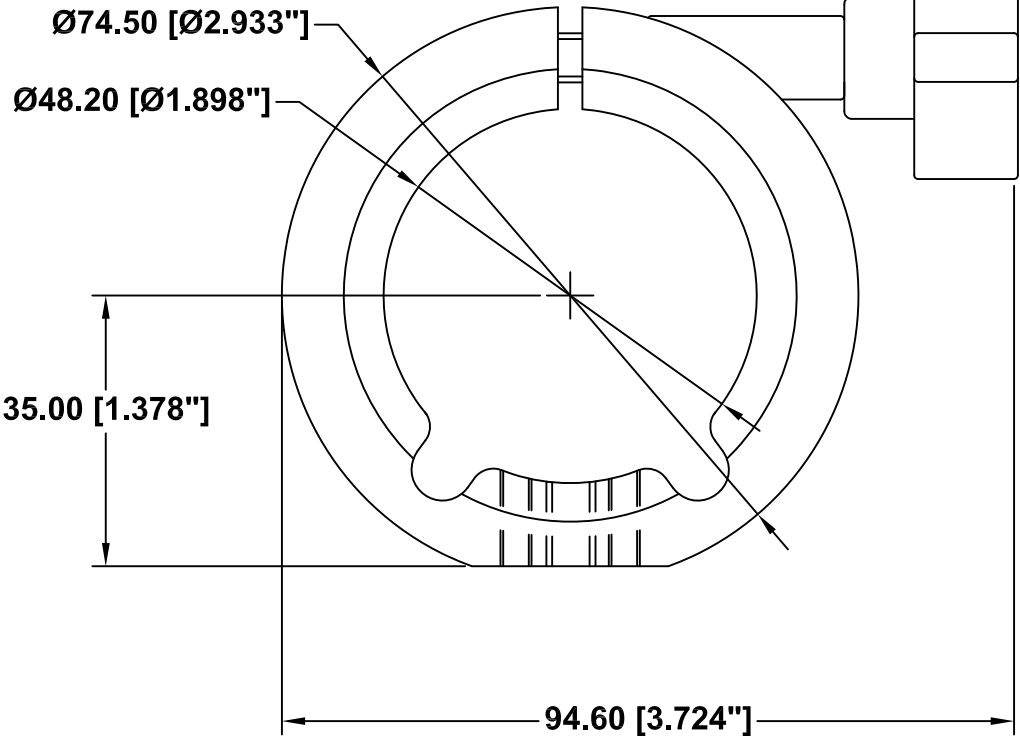
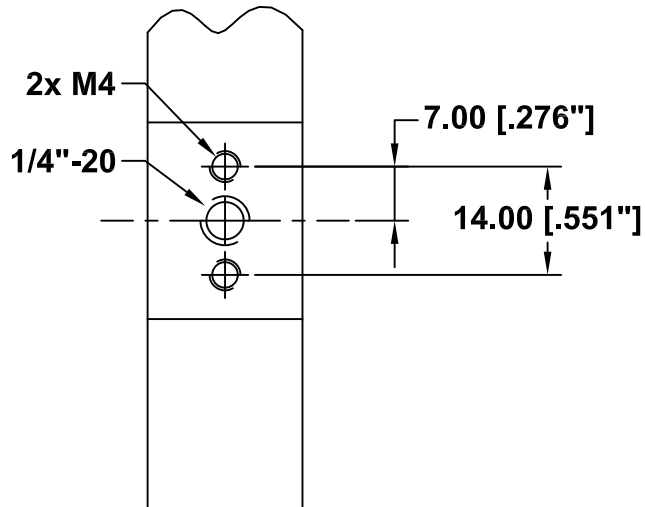
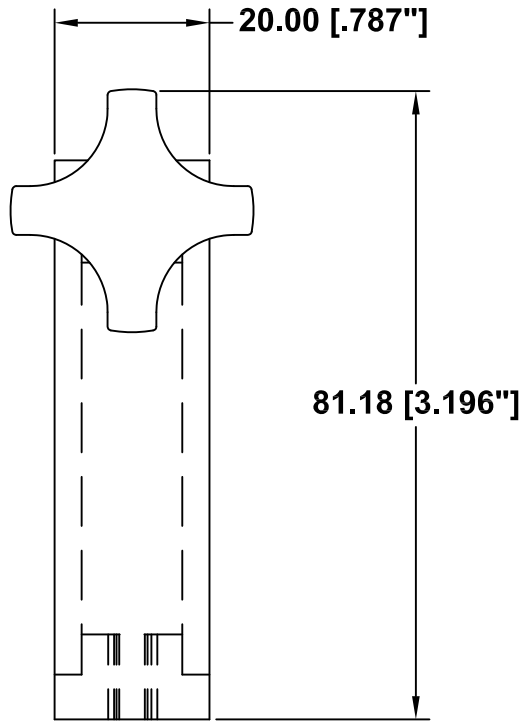
 **INFINITY** Photo-Optical Company  
www.infinity-usa.com

**SMALL MOUNTING CLAMP**

Date: 03/19/01 MB		SIZE A	FSCM NO.	DWG NO. 990 170	REV A
Modified: 04/06/01 MB		SCALE NONE	SHEET 1 of 1		



This drawing is for informational purposes only.  
No other rights or privileges are granted or implied.



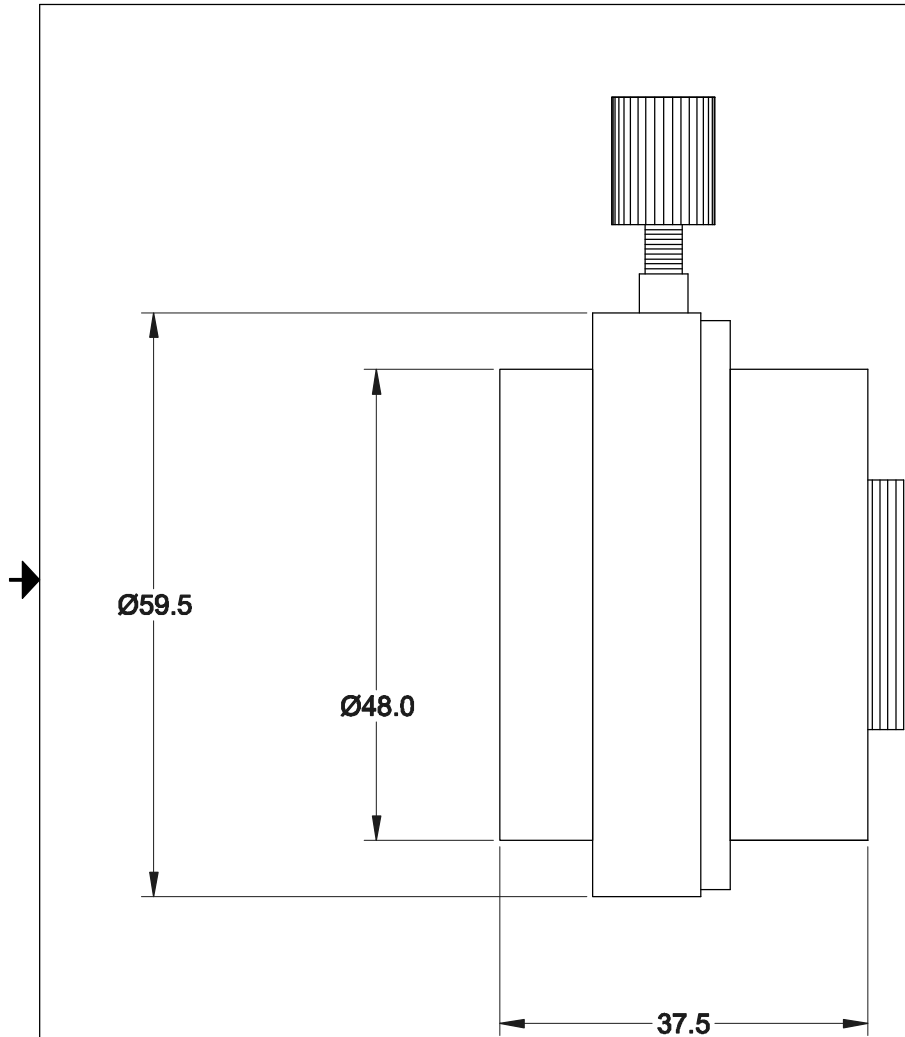
REVISIONS				
ZONE	REV	DESCRIPTION	DATE	APPROVED

ALL DIM ARE mm  
[inches] AND ARE FOR  
REFERENCE ONLY AND  
ARE SUBJECT TO  
CHANGE.

**INFINITY** Photo-Optical Company  
www.infinity-usa.com

**LARGE MOUNTING CLAMP**

Date: 07/24/97 MS		SIZE A	FSCM NO.	DWG NO. <b>770 170</b>	REV -
Modified: 08/10/05 MB		SCALE <b>NONE</b>	-	SHEET <b>1 OF 1</b>	



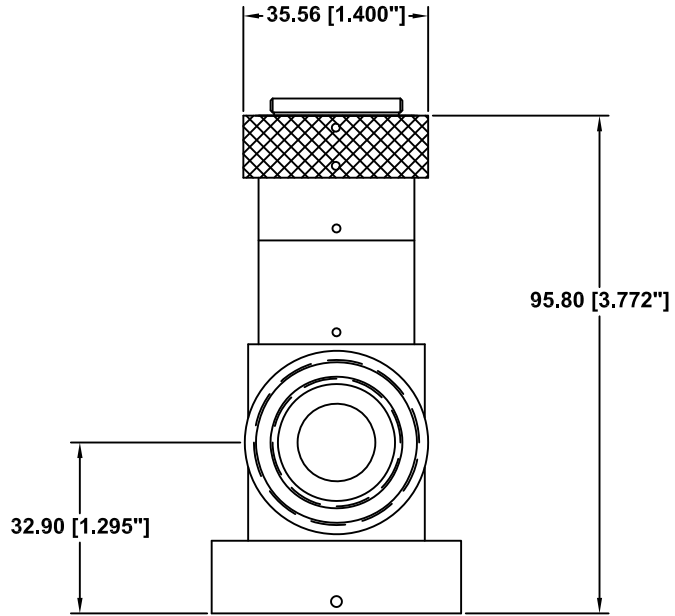
ALL DIM ARE mm.  
FOR REFERENCE  
ONLY. SUBJECT TO  
CHANGE.

**INFINITY** Photo-Optical Company  
2530 Frontier Ave., Boulder, CO 80301  
303/440-4544 Fax 303/440-4144

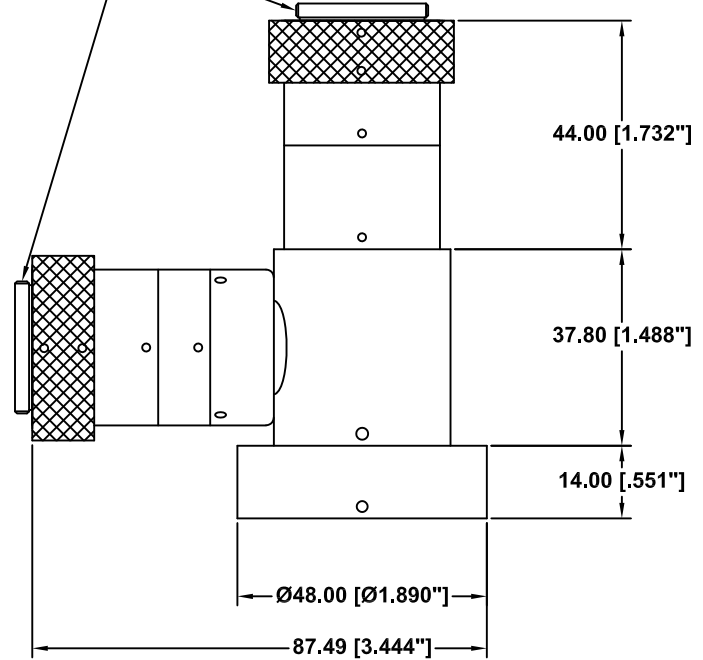
**Orienteable C-mount**

	SIZE B	FSCM NO.	DWG NO.	REV
5/20/97	SCALE	NONE	SHEET	1 OF 1

This drawing is for informational purposes only.  
 No other rights or privileges are granted or implied.



C-THREAD  
 1"-32



REVISIONS				
ZONE	REV	DESCRIPTION	DATE	APPROVED

ALL DIM ARE mm  
 [inches] AND ARE FOR  
 REFERENCE ONLY AND  
 ARE SUBJECT TO  
 CHANGE.

**INFINITY** Photo-Optical Company  
[www.infinity-usa.com](http://www.infinity-usa.com)

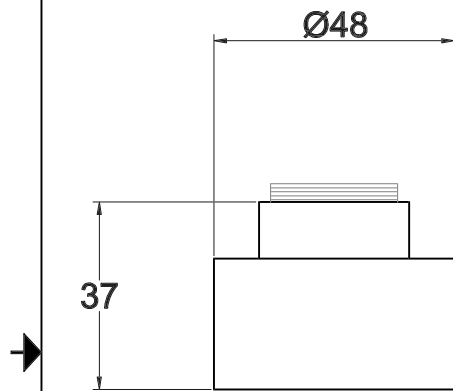
**C-MOUNT  
 BEAMSPLITTER**

Date: 06/08/11 MB

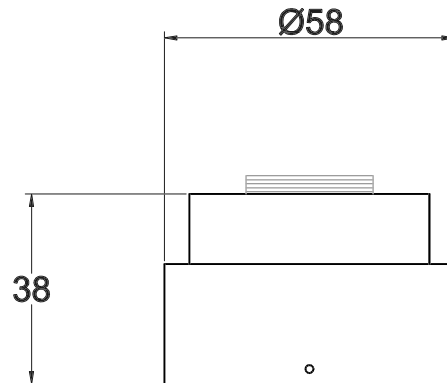
SIZE <b>B</b>	FSCM NO.	DWG NO. -	REV -
------------------	----------	--------------	----------

Modified:

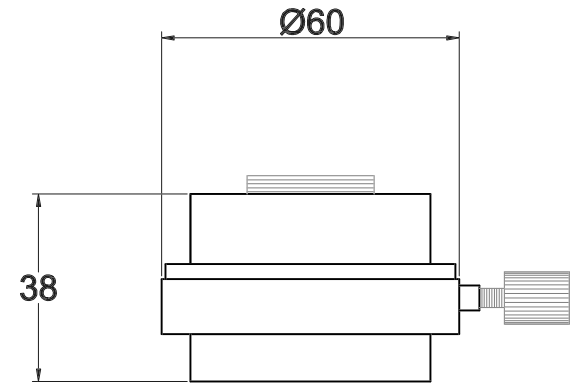
SCALE NONE	-	SHEET 1 OF 1
---------------	---	-----------------



Regular



Rotatable



Orientable and Seperable

ALL DIM ARE mm  
[inches] AND ARE FOR  
REFERENCE ONLY  
AND ARE SUBJECT TO  
CHANGE.

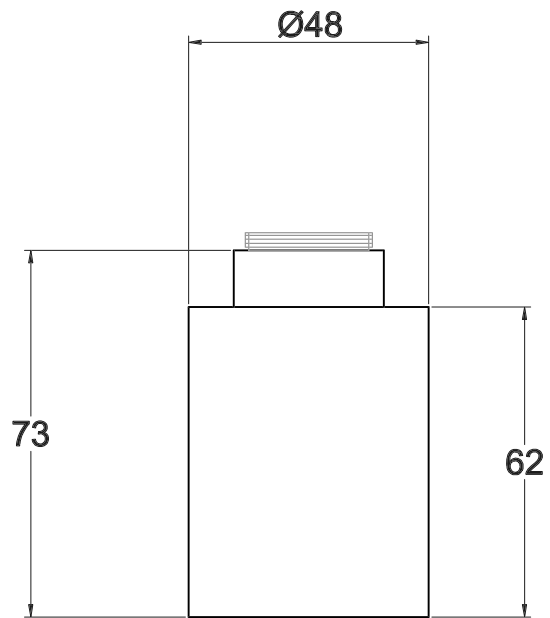
Date: 10/28/97

Modified:

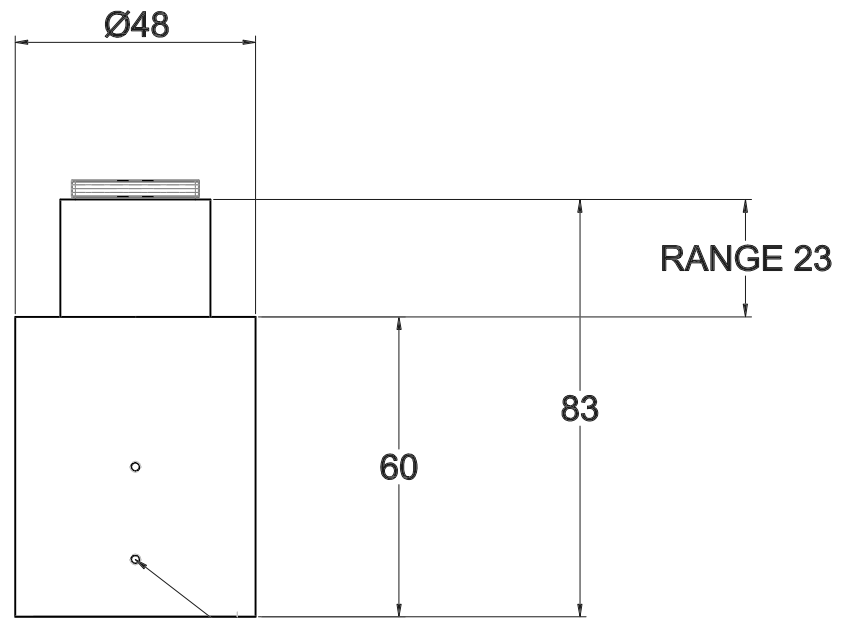
**INFINITY** Photo-Optical Company  
2530 Frontier Ave., Boulder, CO 80301  
303/440-4544 Fax 303/440-4144

**Standard C-mounts**

SIZE B	FSCM NO.	DWG NO.	REV
SCALE NONE	SHEET 1 OF		



Standard  
C-Mount  
(for InfiVar)



Parfocalable  
C-Mount

Locking set screw  
to set C-mount position

ALL DIM ARE mm  
[inches] AND ARE FOR  
REFERENCE ONLY  
AND ARE SUBJECT TO  
CHANGE.

Date: 10/16/97

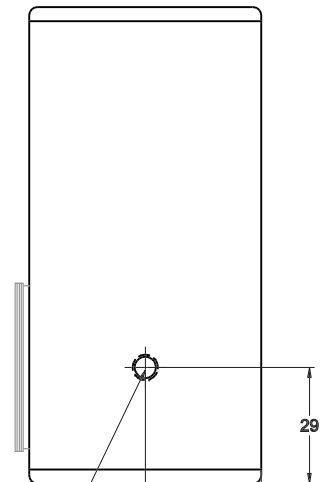
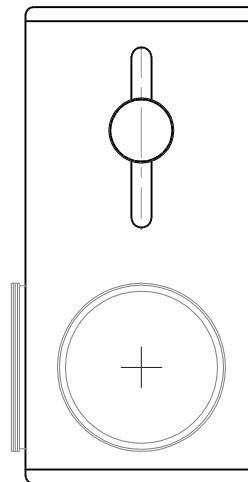
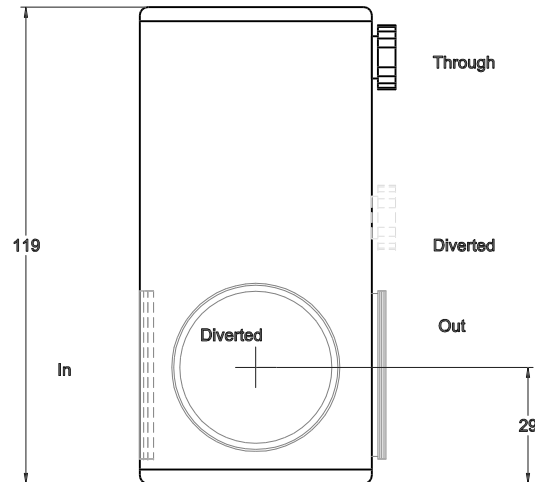
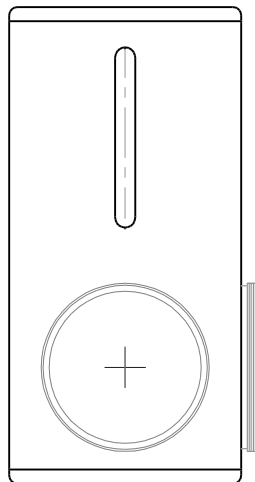
Modified:



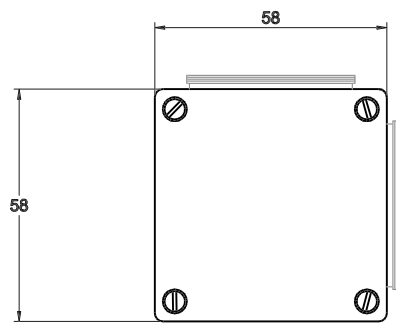
Photo-Optical Company  
2530 Frontier Ave., Boulder, CO 80301  
303/440-4544 Fax 303/440-4144

Special C-mounts

SIZE B	FSCM NO.	DWG NO.	REV
SCALE NONE	SHEET 1 OF		



1/4"-20 UNC 5.5mm DP



Bottom View

ALL DIM ARE mm  
[inches] AND ARE FOR  
REFERENCE ONLY  
AND ARE SUBJECT TO  
CHANGE.

**INFINITY** Photo-Optical Company  
2530 Frontier Ave., Boulder, CO 80301  
303/440-4544 Fax 303/440-4144

**Mirror Diverter**

Date: 9/4/97	SIZE B	FSCM NO.	DWG NO.	REV
Modified:	SCALE NONE	SHEET 1 OF		