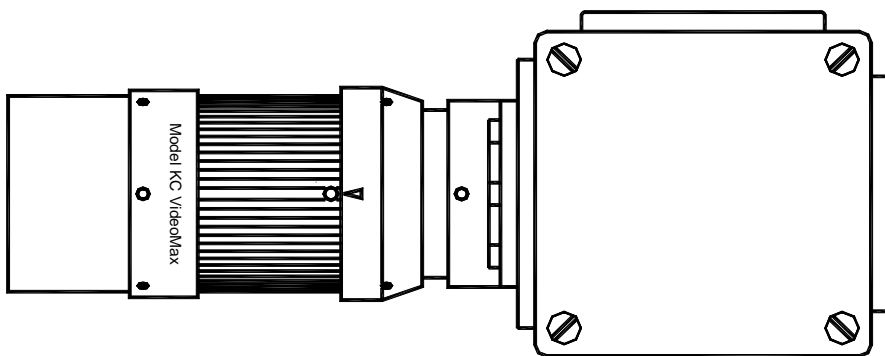
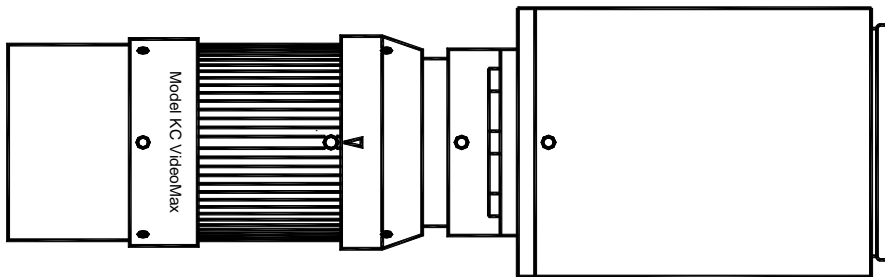
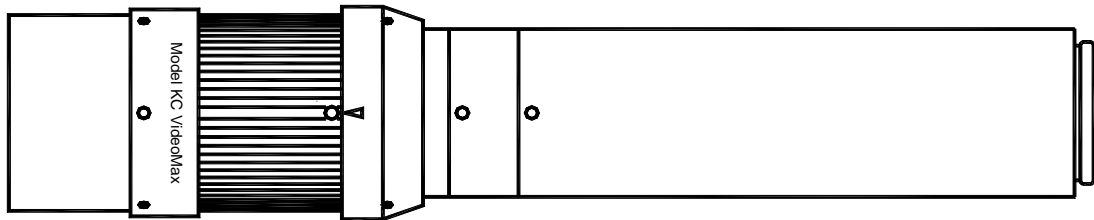


# Model KC VideoMax™ Long-Distance Microscope



**INFINITY Photo-Optical Company** • *Manufacturers of precision optical instruments.*  
2530 Frontier Ave., Boulder, CO 80301 • Tel: (303) 440-4544 • Fax: (303) 440-4144 • E-mail: [info@infinity-usa.com](mailto:info@infinity-usa.com) • Web: [www.infinity-usa.com](http://www.infinity-usa.com)

Copyright 2012 Infinity Photo-Optical Company. All Rights Reserved.



## InFocus™ Model KC VideoMax Long-Distance Microscope

**Introduction.** Model KC VideoMax contains Infinity's InFocus™ internal focusing system, permitting focus from infinity down to 910mm. By using a supplied AUX Lens, it can be focused from 910mm to 405mm. Then, by using IF-series objectives its focus can range from 490mm down to 63mm. Finally, adapters are available for use with infinity-corrected objectives: Achromid™/Mitutoyo, Nikon, RMS-standard, and Olympus. This means that the KC VideoMax's ultimate focus range, magnification and resolution are limited only by the availability of microscope objectives suitable for use. Because the KC VideoMax is color-corrected within its own optical system, it is not compatible with Zeiss and Leica objectives which leave a deliberate color error to be corrected by proprietary means.

**Three Main Body Types.** The KC VideoMax Series is divided into three different Main body Types:

**S** is the primary version of the KC VideoMax series. It is C-tube diameter and attaches directly to C-mount cameras. A Small Mounting Clamp is supplied with each KC VideoMax to allow positioning and mounting via its central 1/4-20 screw and two "outboard" M4 metric screws. The Front has threads (M27) for attaching various objectives and adapters. Accessories permit the basic KC VideoMax to be upgraded, even to become one of the next two versions, ST and SD.

**ST** contains the same InFocus system, but includes a Variable Iris Diaphragm (see below) and has a step-up to T-sized tubes.

The KC VideoMax can therefore be used with the M62 Eyepiece Holder and Eyepieces—as well as a host of other more-advanced accessories.

**SD** is otherwise the same as KC VideoMax, except a Mirror Diverter is used as the back tube support. This allows accessories to be mounted one up to two ports, switched alternately from one set to the other.

The System Drawings that follow show the entire KC VideoMax system possibilities.

**Variable Iris diaphragm.** Optional on the KC VideoMax and standard equipment of the ST and SD, the Variable Iris Diaphragm replaces the S's C12 spacer and allows aperture variation and light attenuation. It is *not suitable* for use with infinity-corrected microscope objectives *other* than Infinity's IF-series. Use a 0.035-in. Allen wrench to loosen the C12's setscrew and interface the Variable Iris Diaphragm between the Focus Module and C96 Rear Tube.

**Reference Ring.** Three setscrews are spaced 120-degrees apart on the Reference Ring. By slightly loosening them, the Arrow marker can be turned and then locked to match the metal-colored Lock Ring (which serves a dual-purpose as a marker). A specific position—for example, infinity focus—can be chosen as a recurring reference point.

**Filter Holder.** The Regular Filter Holder is used either at the front of the S (direct), between IF-series objectives and the S Main Body—or interfaced between the KC VideoMax Main Body and Microscope Objective Adapter. 25mm diameter filters can be placed inside and secured by the included retaining ring.

**DL Doubler Tube.** The DL Doubler Tube interfaces the rear of the C96 tube (or C-mount on ST and SD models) and the video camera, maintaining all focus ranges as before. Magnification is increased by 2x.

**Tele-Tube/C.** The Tele-Tube/C compacts the S and approximately halves the magnification in all modes. This unit is designed to replace the standard C96 tube on S models. Tele-Tube/C maintains parfocality and does not alter the usable ranges of the S. It is recommended when sensor sizes go below the 1/2-inch video format, whenever a wider field of view is desired, etc.

**Coaxial Illuminator.** The Coaxial Illuminator allows connection to a 0.312-in. fiber optic light guide (not supplied). It interfaces the Microscope Objective Adapter and S. Its top has an access whereby 20mm filters can be inserted, rotated and retained, if needed. On the side of the Coaxial illuminator is a Collector. Collector I is preferred for objectives with magnifications less than 10x, while Collector II is best for objectives 10x and higher. However, reasonable (though not as evenly-illuminated) results can be obtained from Collector II with objectives lower in magnification than 10x. 20mm filters can be placed in either Collector and, by **slightly** loosening the three setscrews which holds the Collector to the Coaxial body, rotated against another filter which has been put in the top access. The Coaxial Illuminator is **only** suited for use with flat, highly reflective objects. The light is introduced into the Collector and a beamsplitter directs the light down through the objective (which acts as its own condenser).

**Large Format Adapter (LFA).** The LFA fits directly on top of the C96 on model S. A suitable camera mount can be screwed-on to permit sensors up to 24 x 36mm (the 35mm format) to be covered. The LFA provides a 3x amplification in magnification.

**Other Features.** Please refer to the following drawings for other configurational information. Many accessories expand the capabilities—particularly of ST and SD models—for the most demanding requirements.

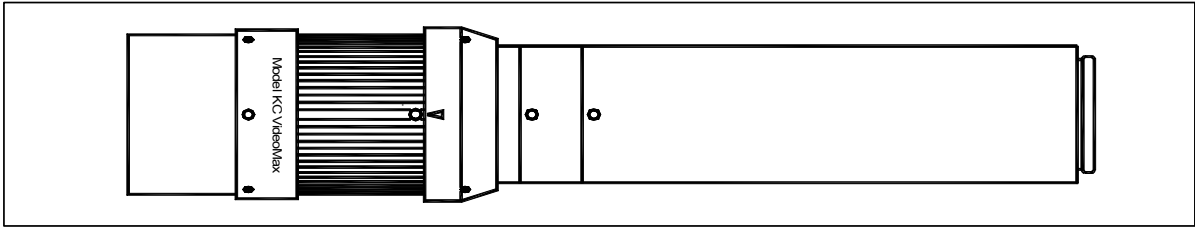
**Care and Cleaning.** The S Main body is a self-contained optical pod and requires no internal adjustments, etc. The unit can be cleaned (metal parts only) by a cloth barely moistened with alcohol. The external optical surfaces should be cleaned only when necessary, and then, only by a soft cotton swab moistened by an approved optical glass cleaner. If you have further questions, please contact Infinity Photo-Optical Company or your authorized dealer.

# Video Formats

Format	Factor	Diagram
1/4"	0.5	
1/3"	0.75	
1/2"	1.0	
2/3"	1.375	
1"	2.0	

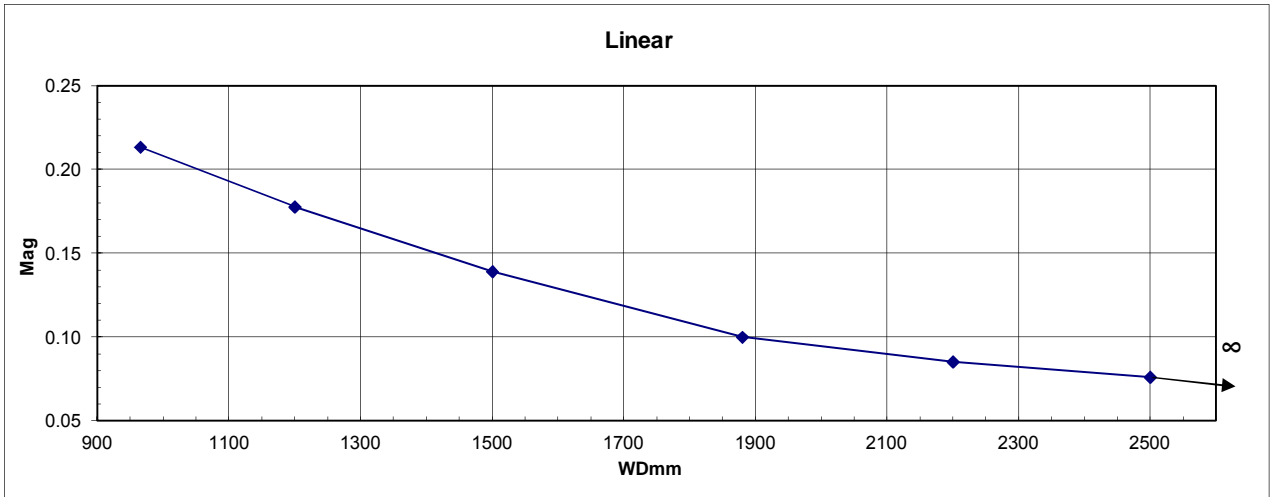
Unless otherwise noted all data is given for 1/2" camera sensors. For FOV or magnification in other sensor sizes use the factors listed. For example, a FOV of 25mm listed for a 1/3" camera would be  $25 \times 0.75 = 18.75\text{mm}$ .

**MODEL KC VIDEOMAX OPTICAL DATA: DIRECT RANGE IN STANDARD CONFIGURATION**

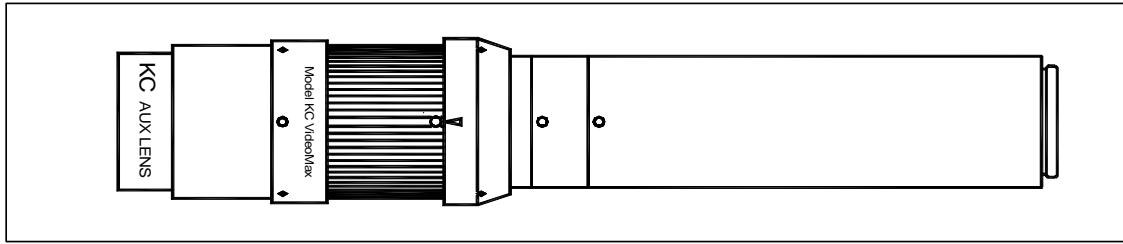


	Direct					
	Near					Far
<b>WD mm</b>	965	1200	1500	1880	2200	2500
<b>MAG</b>	0.21	0.18	0.14	0.10	0.09	0.08
<b>FOV* mm</b>	30	36	46	64	75	84

\*FOV based on 1/2" video format (6.4mm horizontally). See Video Format Page.

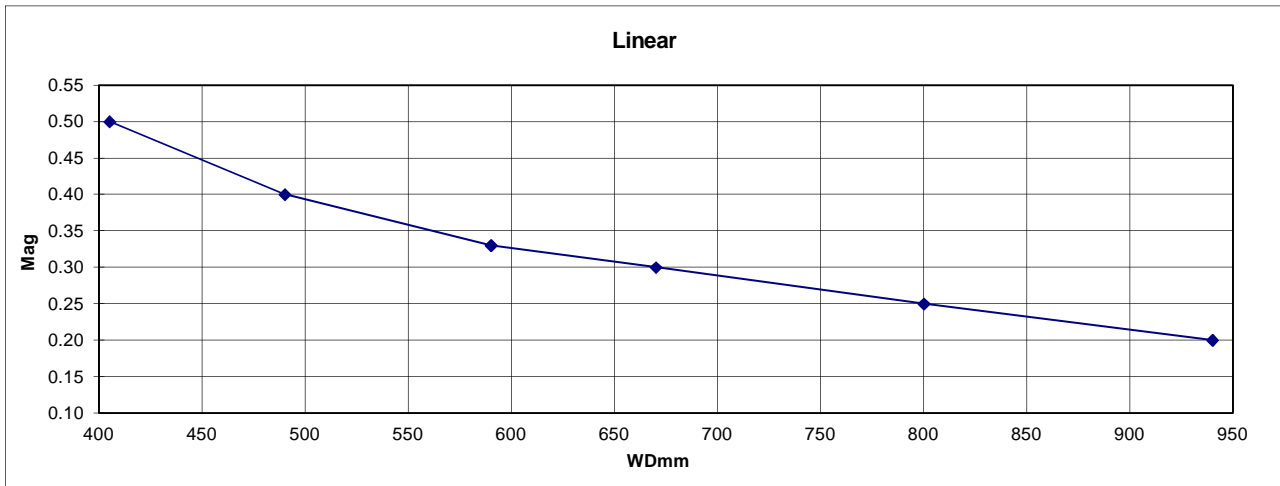


**MODEL KC VIDEOMAX OPTICAL DATA: DIRECT WITH AUX LENS**

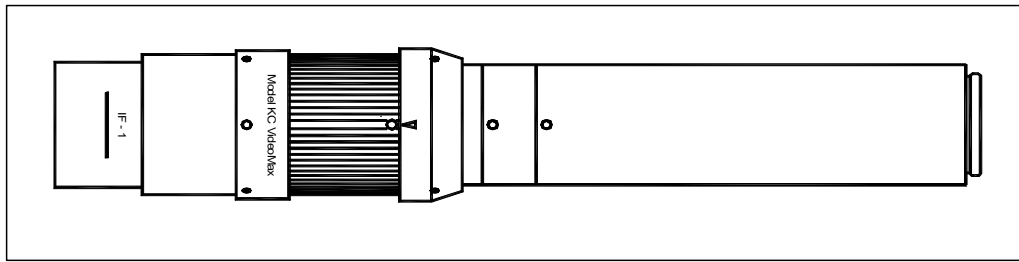


	Direct					
	Near					Far
<b>WD mm</b>	405	490	590	670	800	940
<b>MAG</b>	0.50	0.40	0.33	0.30	0.25	0.20
<b>FOV* mm</b>	12.8	16.0	19.4	21.3	25.6	32.0

\*FOV based on 1/2" video format (6.4mm horizontally). See Video Format Page.



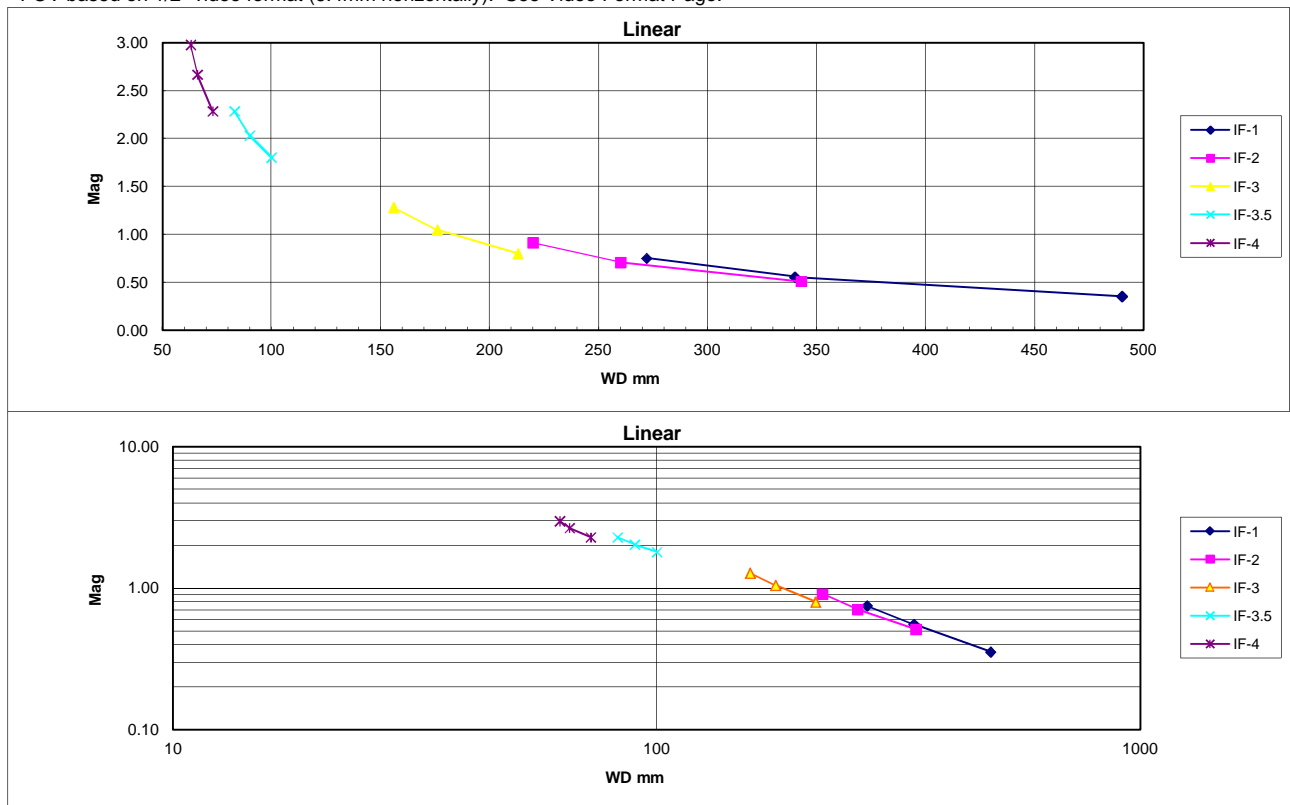
**MODEL KC VIDEOMAX OPTICAL DATA: TOTAL RANGE IN STANDARD CONFIGURATION WITH IF-SERIES OBJECTIVES**



This configuration is for data below. See technical drawings for mechanical dimensions and mounting. (Set first to infinity position in order to reference initial working distance).

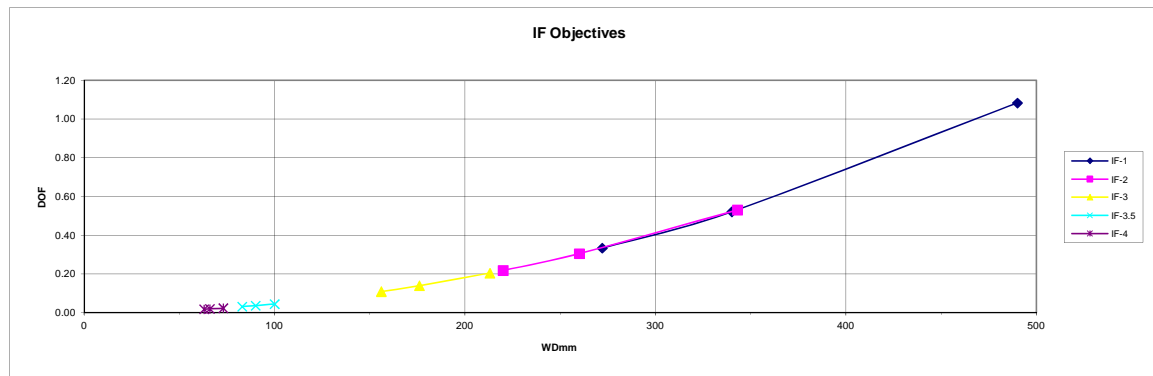
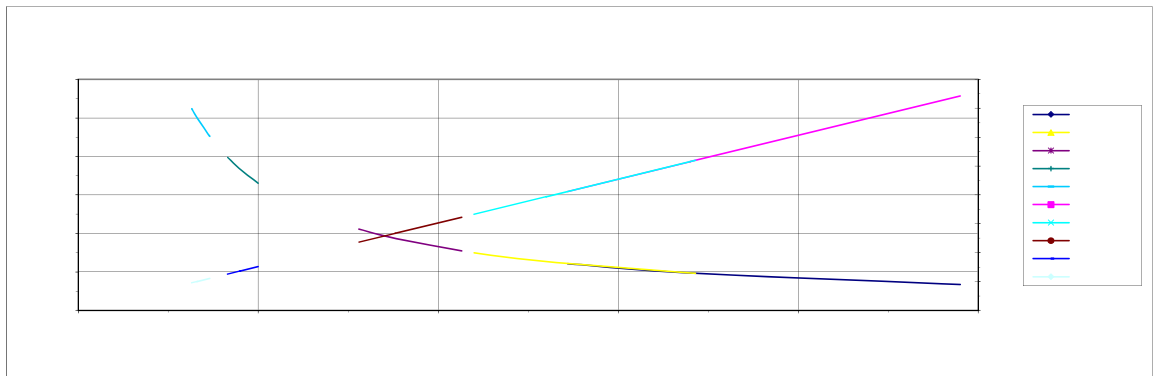
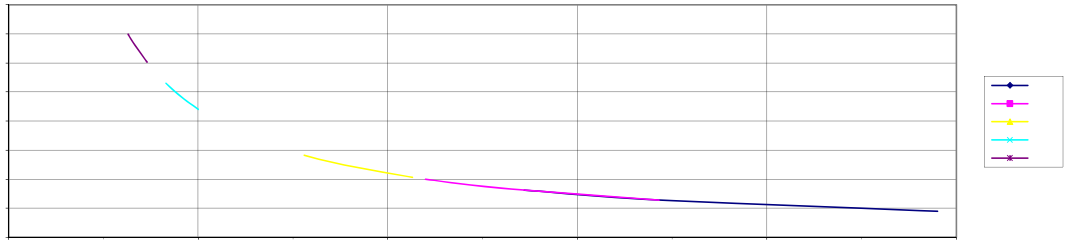
	IF-1			IF-2			IF-3			IF-3.5			IF-4		
	Near	Inf	Far	Near	Inf	Far	Near	Inf	Far	Near	Inf	Far	Near	Inf	Far
<b>WD mm</b>	272	340	490	220	260	343	156	176	213	83	90	100	63	66	73
<b>MAG</b>	0.75	0.56	0.36	0.91	0.71	0.51	1.28	1.05	0.80	2.29	2.03	1.80	2.98	2.67	2.29
<b>FOV* mm</b>	8.5	11.5	18	7	9	12.5	5	6.1	8	2.8	3.15	3.55	2.15	2.4	2.8

\*FOV based on 1/2" video format (6.4mm horizontally). See Video Format Page.

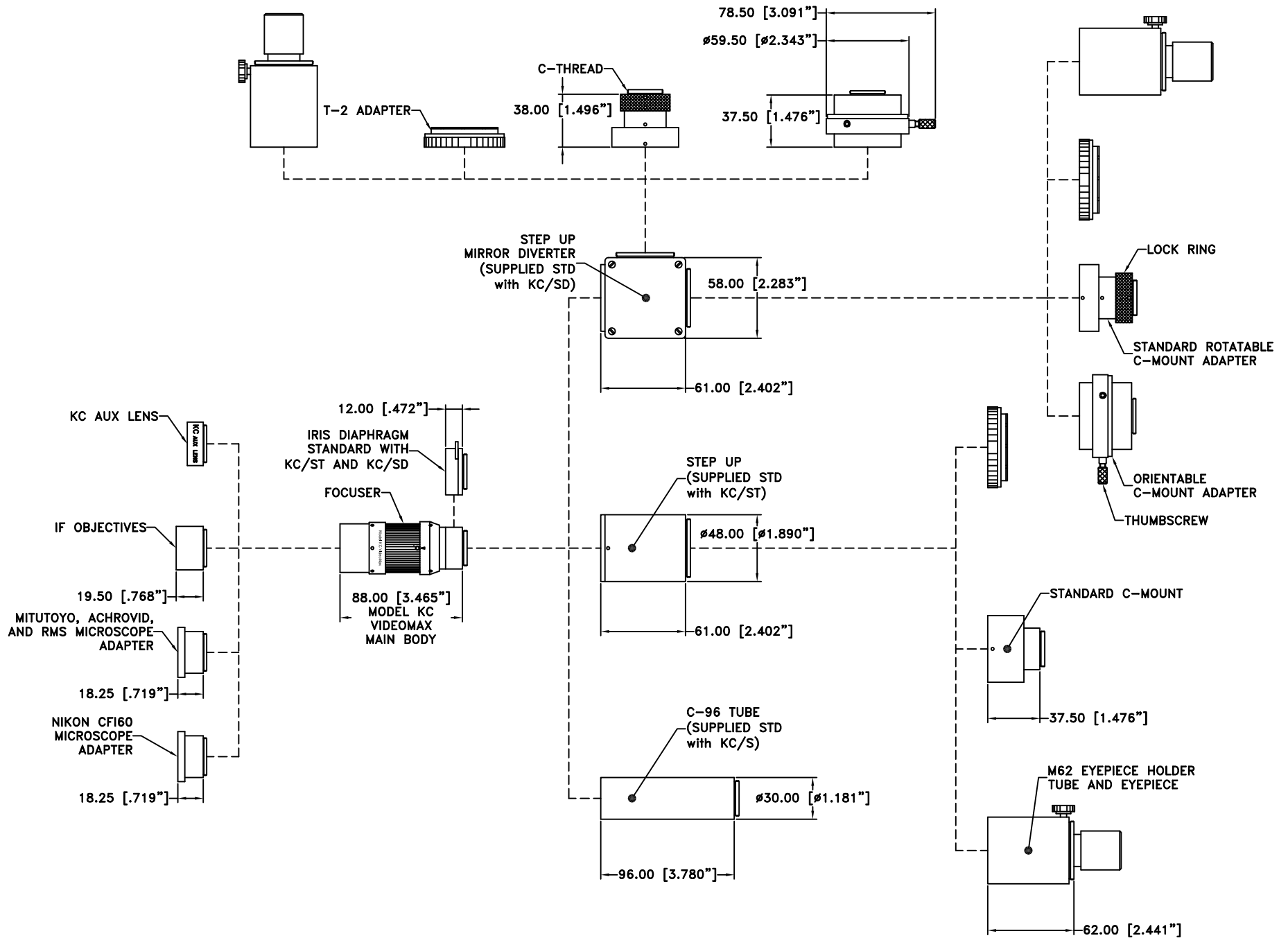


# MODEL KC VIDEOMAX OPTICAL RESOLUTION DATA IF-OBJECTIVES

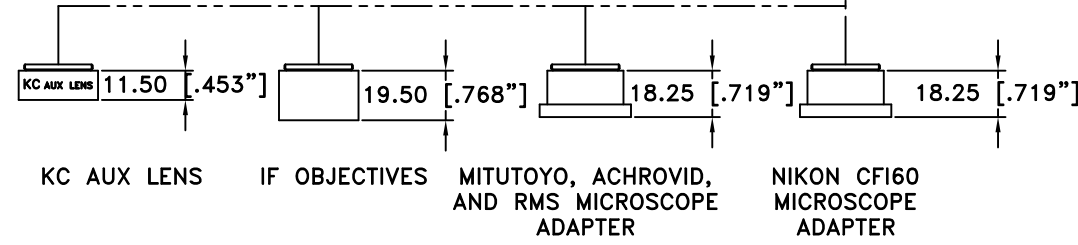
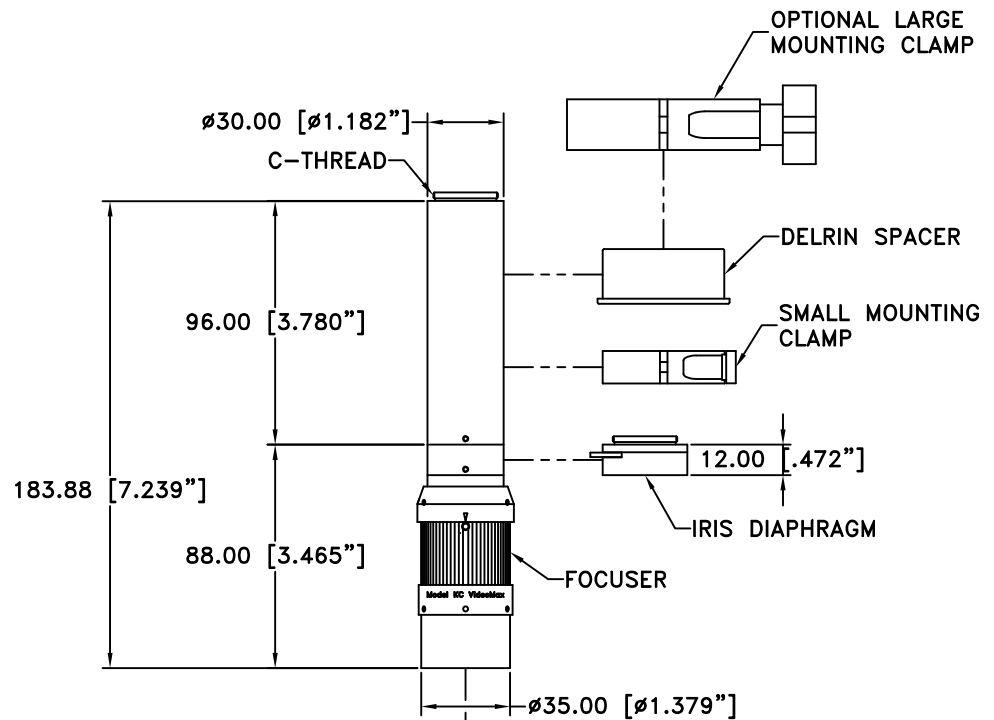
Model KC	Objective	IF-1			IF-2			IF-3			IF-3.5			IF-4		
		Near	Inf	Far	Near	Inf	Far	Near	Inf	Far	Near	Inf	Far	Near	Inf	Far
	WDmm	272	340	490	220	260	343	156	176	213	83	90	100	63	66	73
	MAG	0.71	0.46	0.38	0.91	0.64	0.52	1.28	0.91	0.80	2.13	2.00	1.71	2.91	2.56	2.33
	NA	0.040	0.032	0.022	0.050	0.042	0.032	0.071	0.063	0.052	0.133	0.122	0.110	0.175	0.167	0.151
	Resolution (lpmm)	121	97	67	150	127	96	212	188	155	398	367	330	524	500	452
	Resolution (microns)	8.2	10.3	14.8	6.7	7.9	10.4	4.7	5.3	6.5	2.5	2.7	3.0	1.9	2.0	2.2
	DOFmm	0.33	0.52	1.08	0.22	0.30	0.53	0.11	0.14	0.20	0.031	0.036	0.045	0.018	0.019	0.024



# MODEL KC VIDEOMAX ACCESSORIES



REVISIONS				
ZONE	REV	DESCRIPTION	DATE	APPROVED



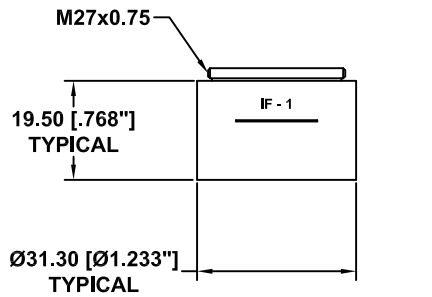
This drawing is for informational purposes only.  
No other rights or privileges are granted or implied.

ALL DIM ARE mm [inches] AND ARE FOR REFERENCE ONLY AND ARE SUBJECT TO CHANGE.

**INFINITY** Photo-Optical Company  
2530 Frontier Ave., Boulder, CO 80301  
303/440-4544 Fax 303/440-4144

**MODEL KC VIDEOMAX (C-SIZE TUBES)**

Date: 01/30/12 MB	SIZE B	FSCM NO.	DWG NO. -	REV -
Modified:	SCALE NONE	-	SHEET 1 OF 1	



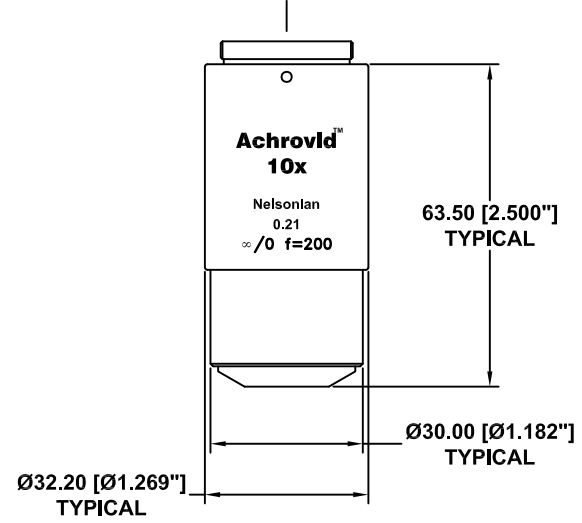
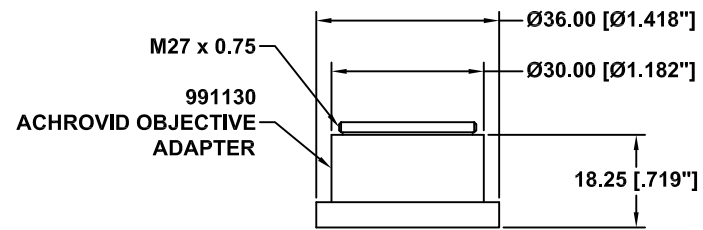
**IF-SERIES OBJECTIVE**

This drawing is for informational purposes only.  
No other rights or privileges are granted or implied.

**NOTES:**

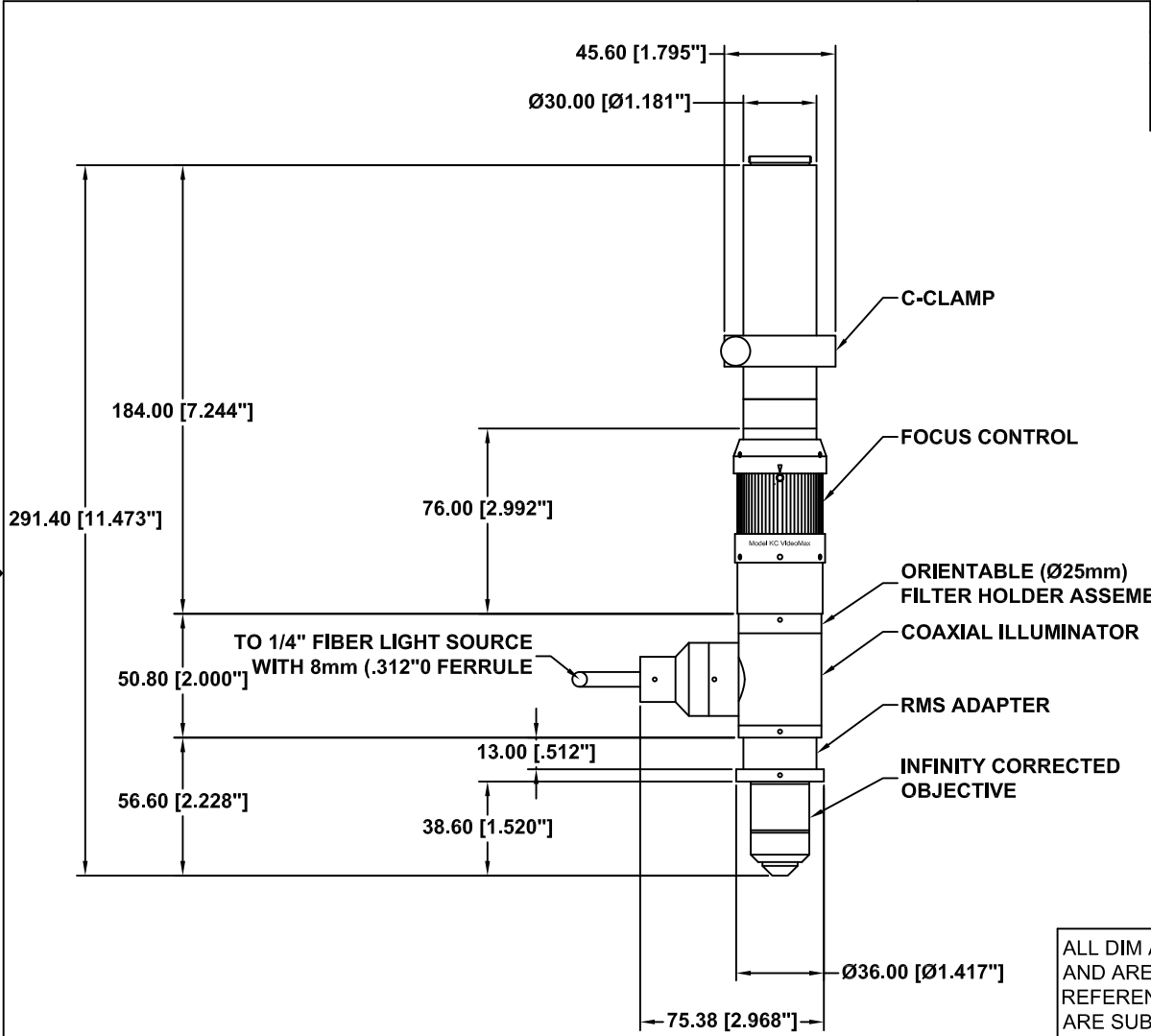
1. IF-1 SHOWN.
2. LWD-1 SHOWN.
3. ACHROVID 10x SHOWN.

REVISIONS				
ZONE	REV	DESCRIPTION	DATE	APPROVED



**ACHROVID-SERIES OBJECTIVE**

ALL DIM ARE mm [inches] AND ARE FOR REFERENCE ONLY AND ARE SUBJECT TO CHANGE.	<b>INFINITY</b> Photo-Optical Company 2530 Frontier Ave., Boulder, CO 80301 303/440-4544 Fax 303/440-4144			
	<b>MODEL KC VIDEOMAX OBJECTIVES</b>			
Date: 01/30/12 MB	SIZE <b>B</b>	FSCM NO.	DWG NO.	REV -
Modified:	SCALE <b>NONE</b>	SHEET <b>1 of 1</b>		



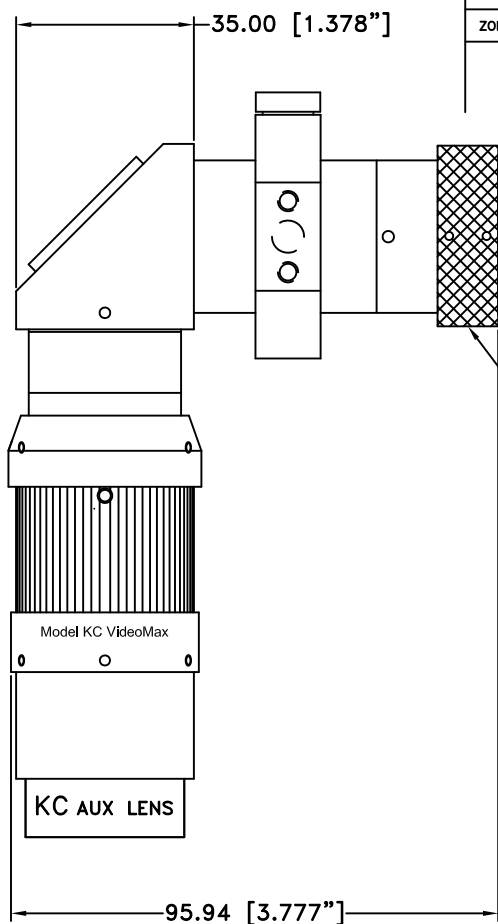
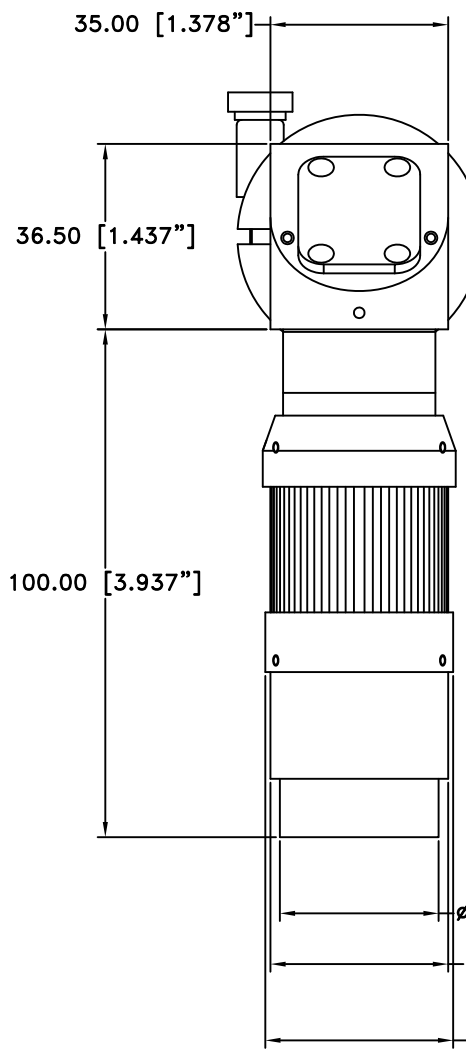
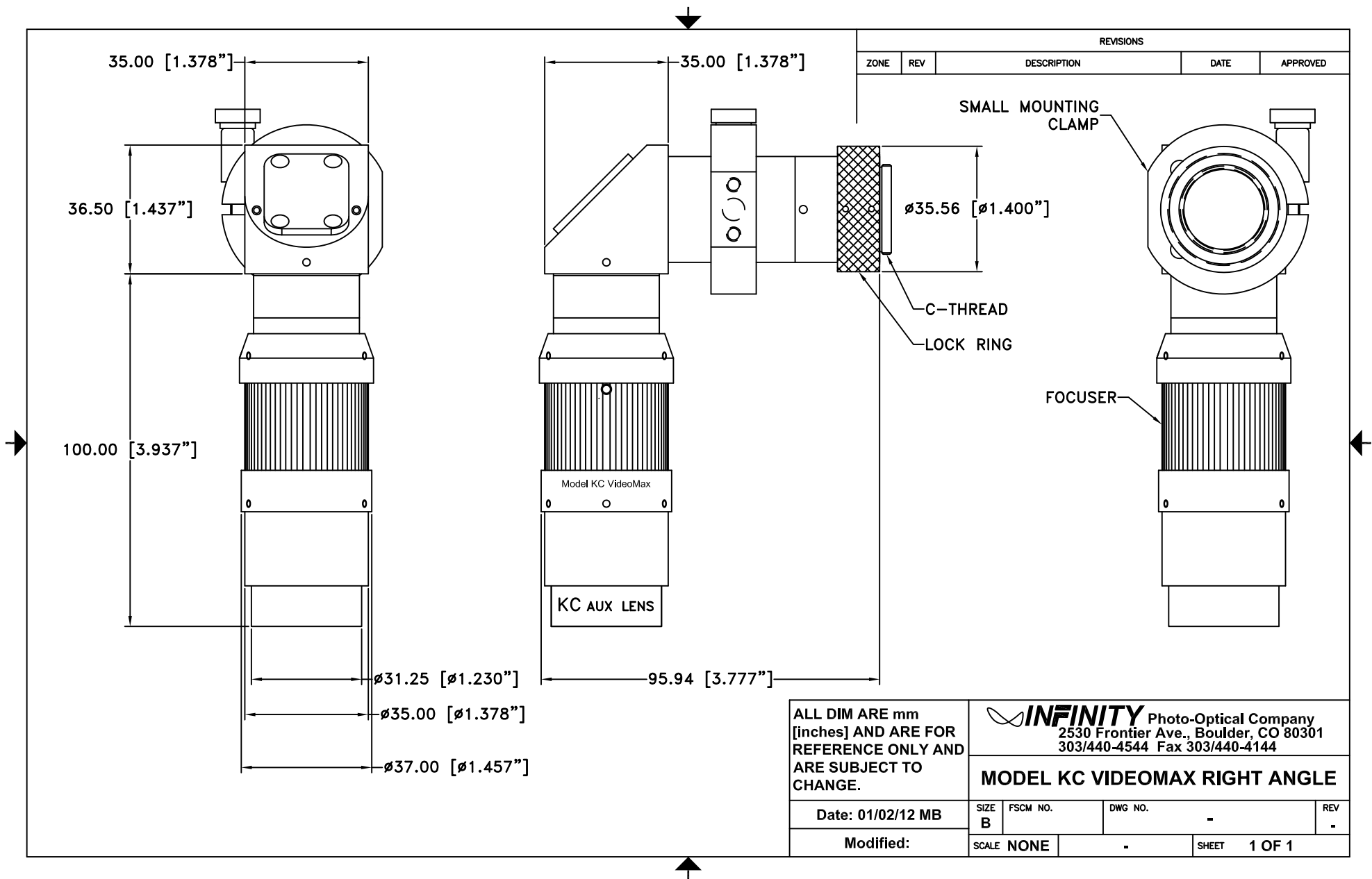
REVISIONS				
ZONE	REV	DESCRIPTION	DATE	APPROVED

ALL DIM ARE mm [inches] AND ARE FOR REFERENCE ONLY AND ARE SUBJECT TO CHANGE.

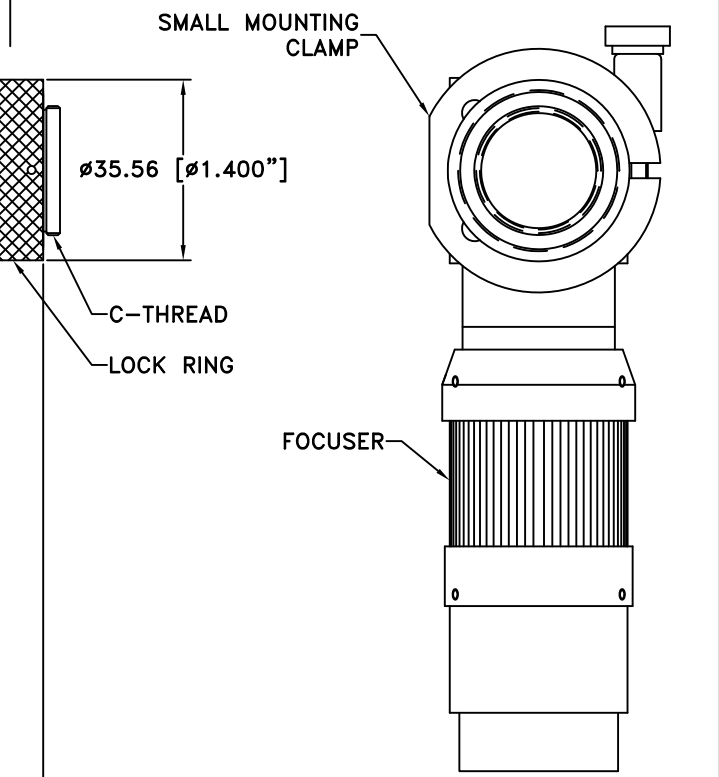
**INFINITY** Photo-Optical Company  
 2530 Frontier Ave., Boulder, CO 80301  
 303/440-4544 Fax 303/440-4144

**MODEL KC VIDEOMAX w/COAXIAL ILLUMINATOR**

Date: 01/02/12 MB	SIZE B	FSCM NO.	DWG NO. -	REV -
Modified:	SCALE NONE	-	SHEET 1 OF 1	



REVISIONS				
ZONE	REV	DESCRIPTION	DATE	APPROVED

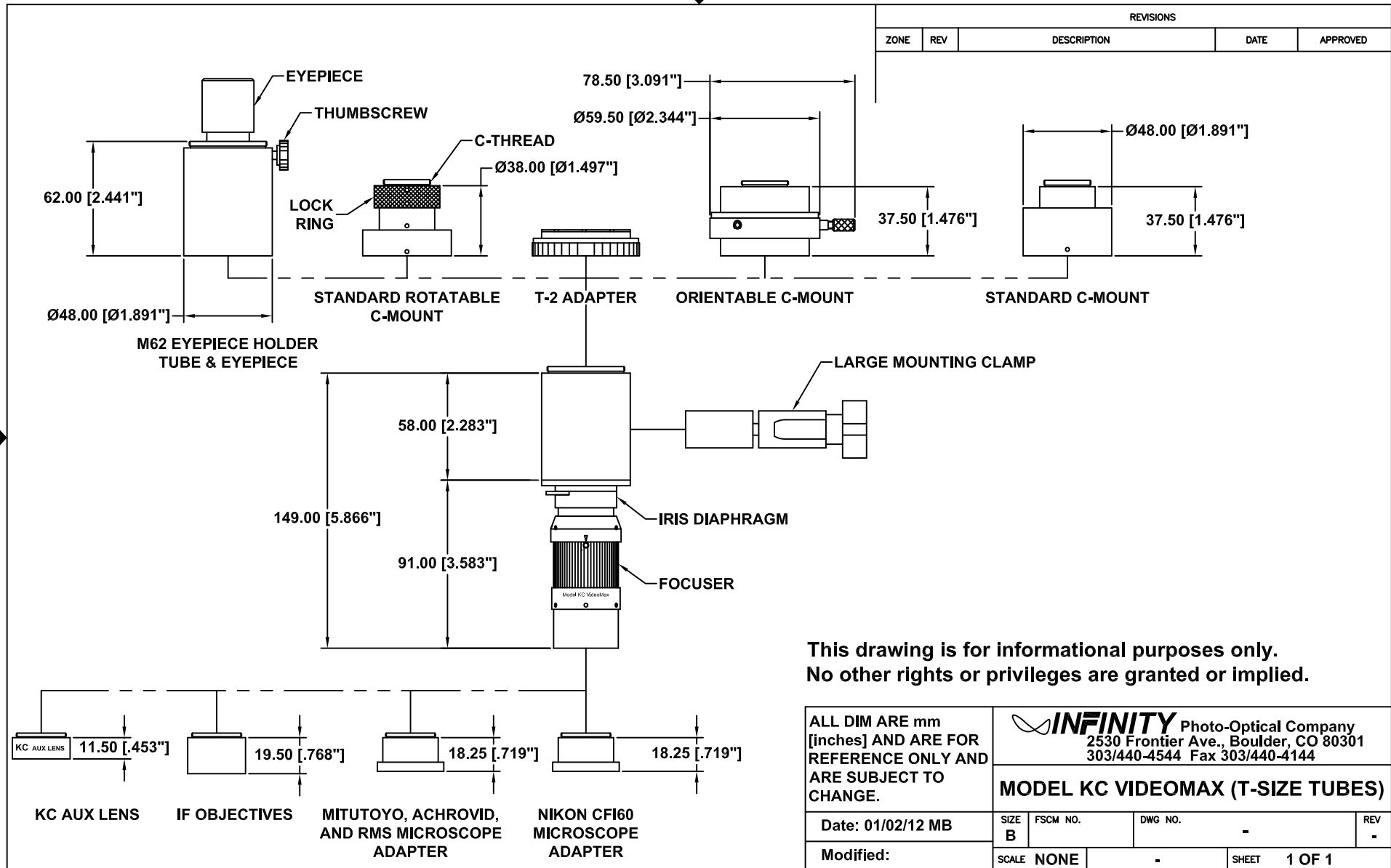


ALL DIM ARE mm [inches] AND ARE FOR REFERENCE ONLY AND ARE SUBJECT TO CHANGE.

**INFINITY** Photo-Optical Company  
 2530 Frontier Ave., Boulder, CO 80301  
 303/440-4544 Fax 303/440-4144

**MODEL KC VIDEOMAX RIGHT ANGLE**

Date: 01/02/12 MB	SIZE B	FSCM NO.	DWG NO. -	REV -
Modified:	SCALE NONE	-	SHEET 1 OF 1	



REVISIONS				
ZONE	REV	DESCRIPTION	DATE	APPROVED

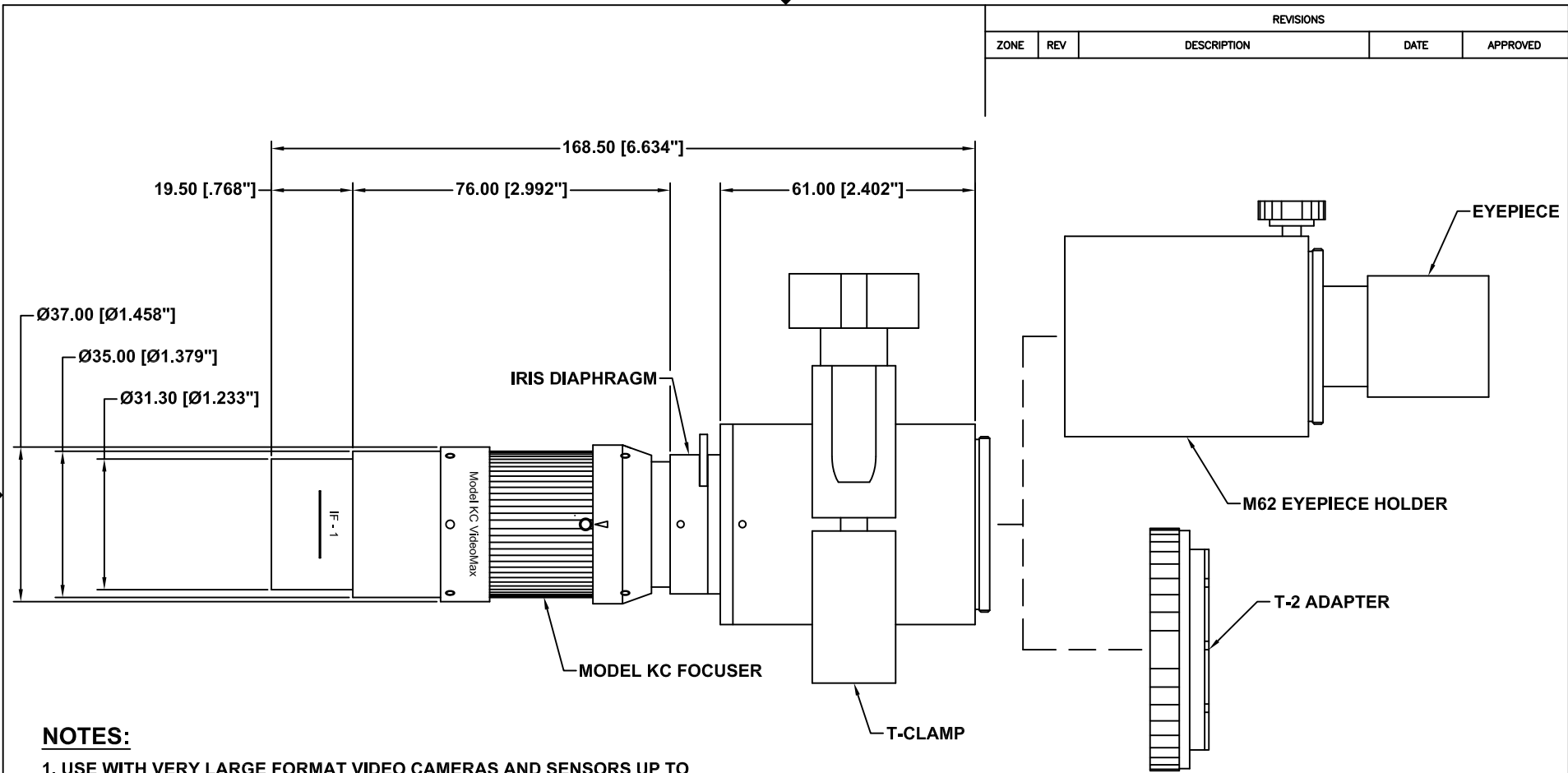
This drawing is for informational purposes only. No other rights or privileges are granted or implied.

ALL DIM ARE mm [inches] AND ARE FOR REFERENCE ONLY AND ARE SUBJECT TO CHANGE.

**INFINITY** Photo-Optical Company  
 2530 Frontier Ave., Boulder, CO 80301  
 303/440-4544 Fax 303/440-4144

**MODEL KC VIDEOMAX (T-SIZE TUBES)**

Date: 01/02/12 MB	SIZE B	FSCM NO.	DWG NO.	REV -
Modified:	SCALE NONE	-	SHEET 1 OF 1	



**NOTES:**

1. USE WITH VERY LARGE FORMAT VIDEO CAMERAS AND SENSORS UP TO 35mm FORMAT. PLEASE REFER TO THE PHOTO/VIDEO MICROGRAPHIC OPTIONS DRAWING SHOWING UNIPAR ADAPTERS.
2. IF-SERIES OBJECTIVES CAN BE ADDED TO STANDARD MODEL KC FOR INCREASED MAGNIFICATION (SEE MODEL KC OPTICAL DATA CHART).
3. UNIPAR IS AVAILABLE IN FACTOR OF 0.3x FOR VERY LARGE FORMATS. EYEPIECE RATED POWER TIMES UNIPAR FACTOR EQUALS ON-SENSOR MAGNIFICATION.
4. MODEL KC SHOWN WITH IF-1 OBJECTIVE.

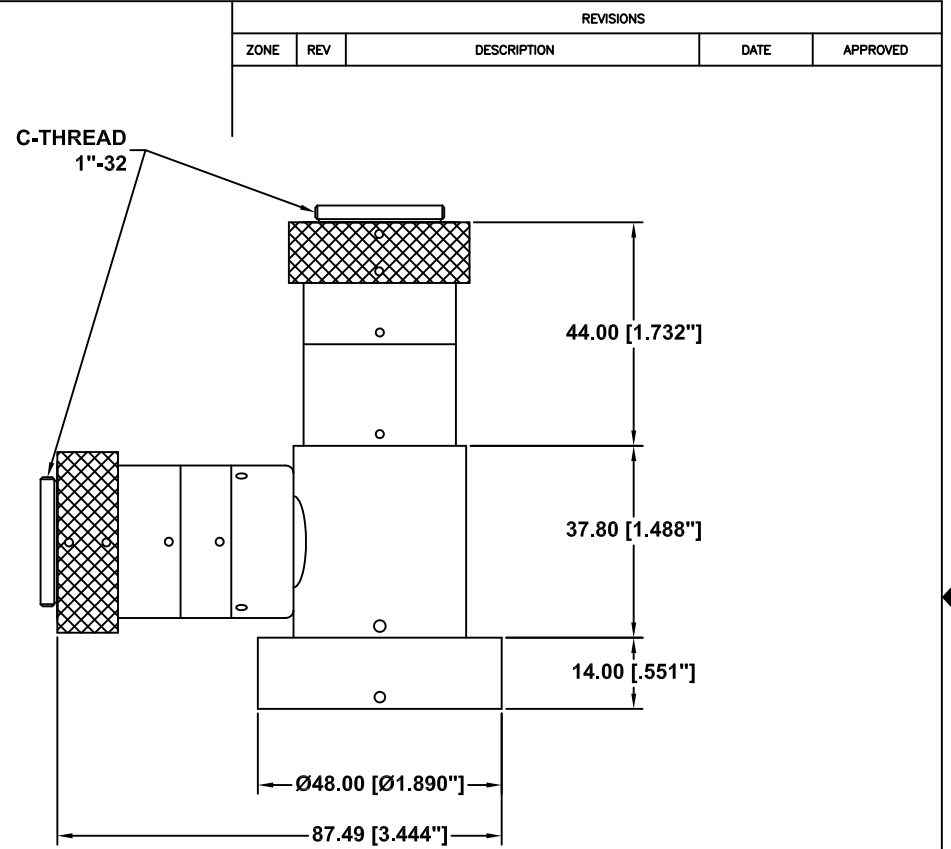
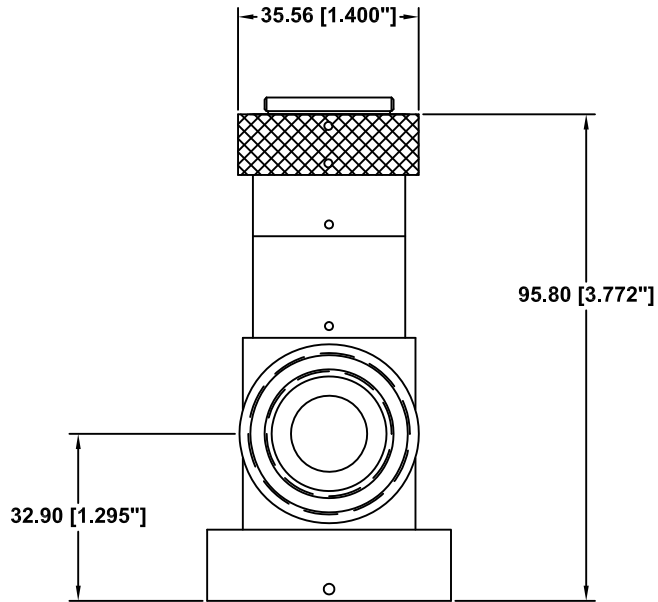
ALL DIM ARE mm [inches] AND ARE FOR REFERENCE ONLY AND ARE SUBJECT TO CHANGE.

**INFINITY** Photo-Optical Company  
 2530 Frontier Ave., Boulder, CO 80301  
 303/440-4544 Fax 303/440-4144

**MODEL KC VIDEOMAX FOR VERY LARGE VIDEO SYSTEM**

Date: 01/02/12 MB	SIZE B	FSCM NO.	DWG NO. -	REV -
Modified:	SCALE NONE	-	SHEET 1 OF 1	

This drawing is for informational purposes only.  
No other rights or privileges are granted or implied.



REVISIONS				
ZONE	REV	DESCRIPTION	DATE	APPROVED

THIS UNIT REPLACES A COMBINED 58mm TUBE A C-MOUNT.

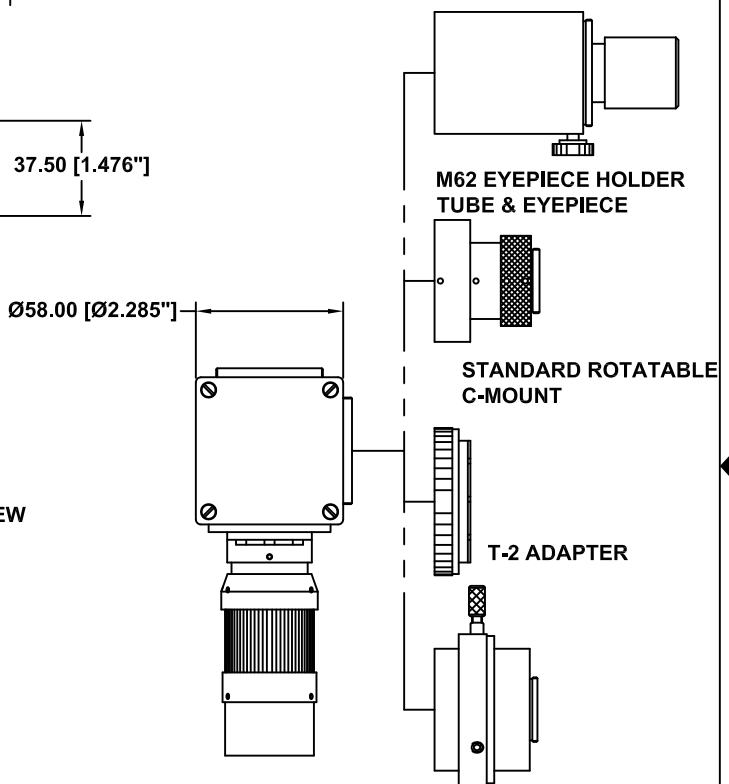
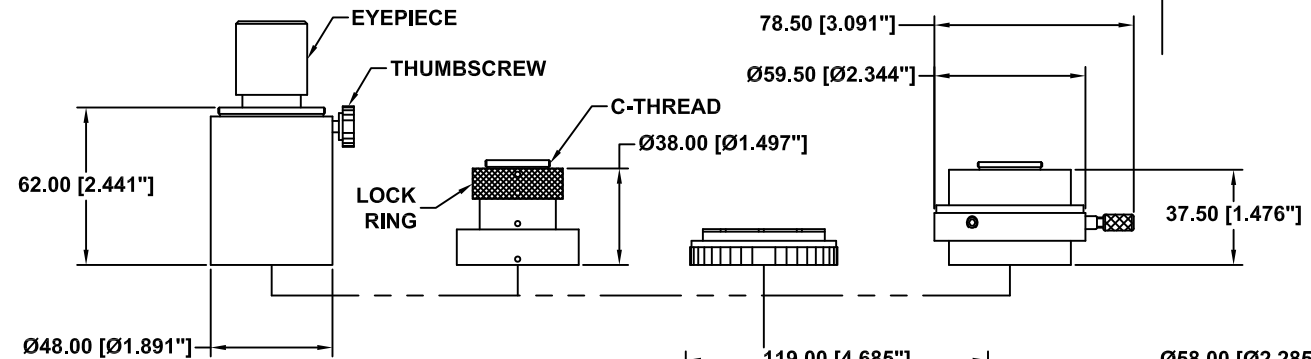
ALL DIM ARE mm  
[inches] AND ARE FOR  
REFERENCE ONLY AND  
ARE SUBJECT TO  
CHANGE.

**INFINITY** Photo-Optical Company  
2530 Frontier Ave., Boulder, CO 80301  
303/440-4544 Fax 303/440-4144

**REPLACEMENT C-MOUNT  
BEAMSPLITTER**

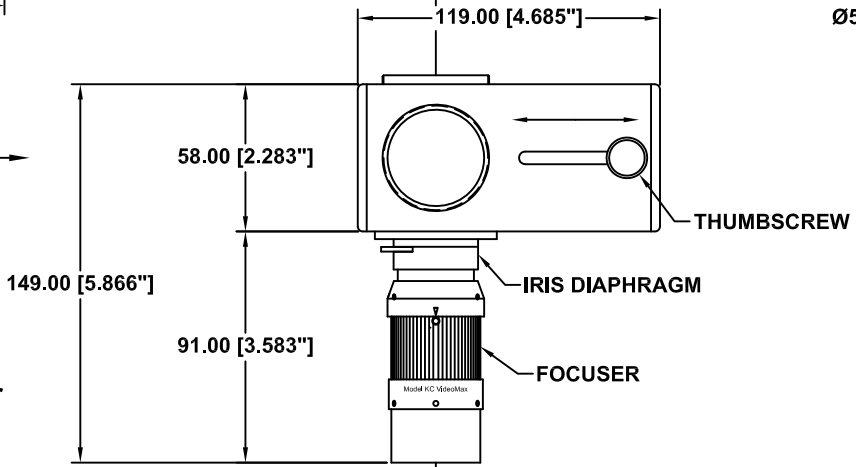
Date: 06/08/11 MB	SIZE B	FSCM NO.	DWG NO. -	REV -
Modified:	SCALE NONE	-	SHEET 1 OF 1	

REVISIONS				
ZONE	REV	DESCRIPTION	DATE	APPROVED

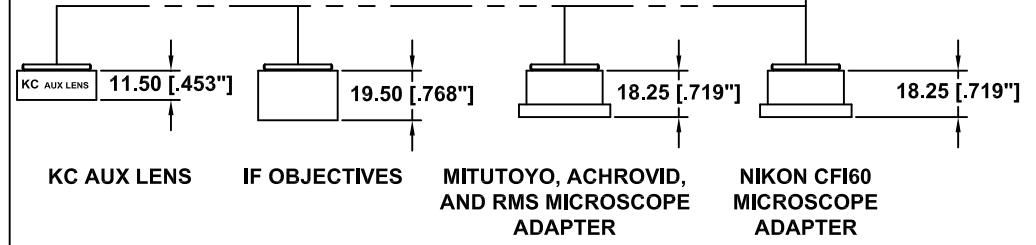


VIEW A →

This drawing is for informational purposes only. No other rights or privileges are granted or implied.



VIEW A ORIENTABLE C-MOUNT



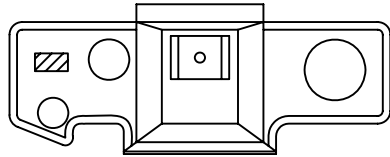
ALL DIM ARE mm [inches] AND ARE FOR REFERENCE ONLY AND ARE SUBJECT TO CHANGE.

**INFINITY** Photo-Optical Company  
2530 Frontier Ave., Boulder, CO 80301  
303/440-4544 Fax 303/440-4144

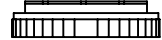
**MODEL KC/SD VIDEOMAX (DUAL PORT)**

Date: 01/02/12 MB	SIZE B	FSCM NO.	DWG NO. -	REV -
Modified:	SCALE NONE	-	SHEET 1 OF 1	

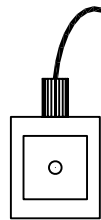
PHOTO/LARGE-FORMAT VIDEO  
SLR BODY (OR LF-VIDEO)  
CAMERA



T2 MOUNT

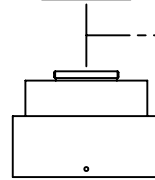


VIDEO CAMERA

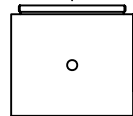


2x DL DOUBLER TUBE

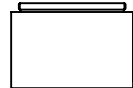
C-MOUNT



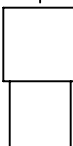
UNIPAR 0.3x  
VIDEO/PHOTO ADAPTER



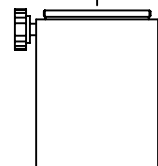
T-30 SPACER



EYEPIECE



M62 EYEPIECE HOLDER



ATTACH TO INSTRUMENT

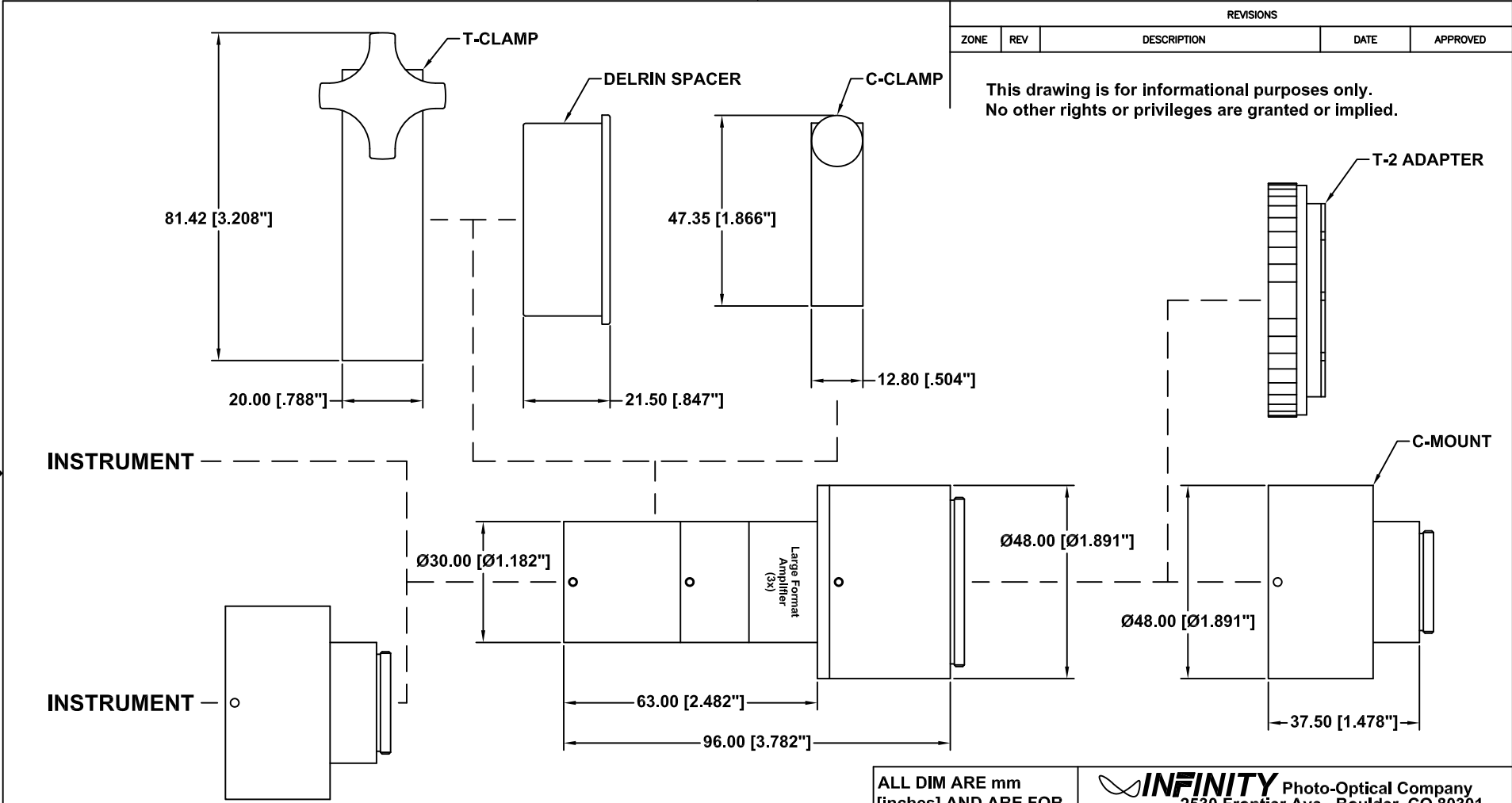
REVISIONS				
ZONE	REV	DESCRIPTION	DATE	APPROVED

ALL DIM ARE mm [inches]  
AND ARE FOR  
REFERENCE ONLY AND  
ARE SUBJECT TO  
CHANGE.

**INFINITY** Photo-Optical Company  
2530 Frontier Ave., Boulder, CO 80301  
303/440-4544 Fax 303/440-4144

**PHOTO/VIDEO MICROGRAPHIC  
OPTIONS**

Date: 08/28/97 MS	SIZE B	FSCM NO.	DWG NO. -	REV C
Modified: 05/01/09 MB	SCALE NONE	-	SHEET 1 OF 1	



REVISIONS				
ZONE	REV	DESCRIPTION	DATE	APPROVED

This drawing is for informational purposes only.  
No other rights or privileges are granted or implied.

INSTRUMENT

INSTRUMENT

**NOTE:**

1. THE C-CLAMP CAN BE REPLACED BY THE DELRIN SPACER AND T-CLAMP.

ALL DIM ARE mm [inches] AND ARE FOR REFERENCE ONLY AND ARE SUBJECT TO CHANGE.

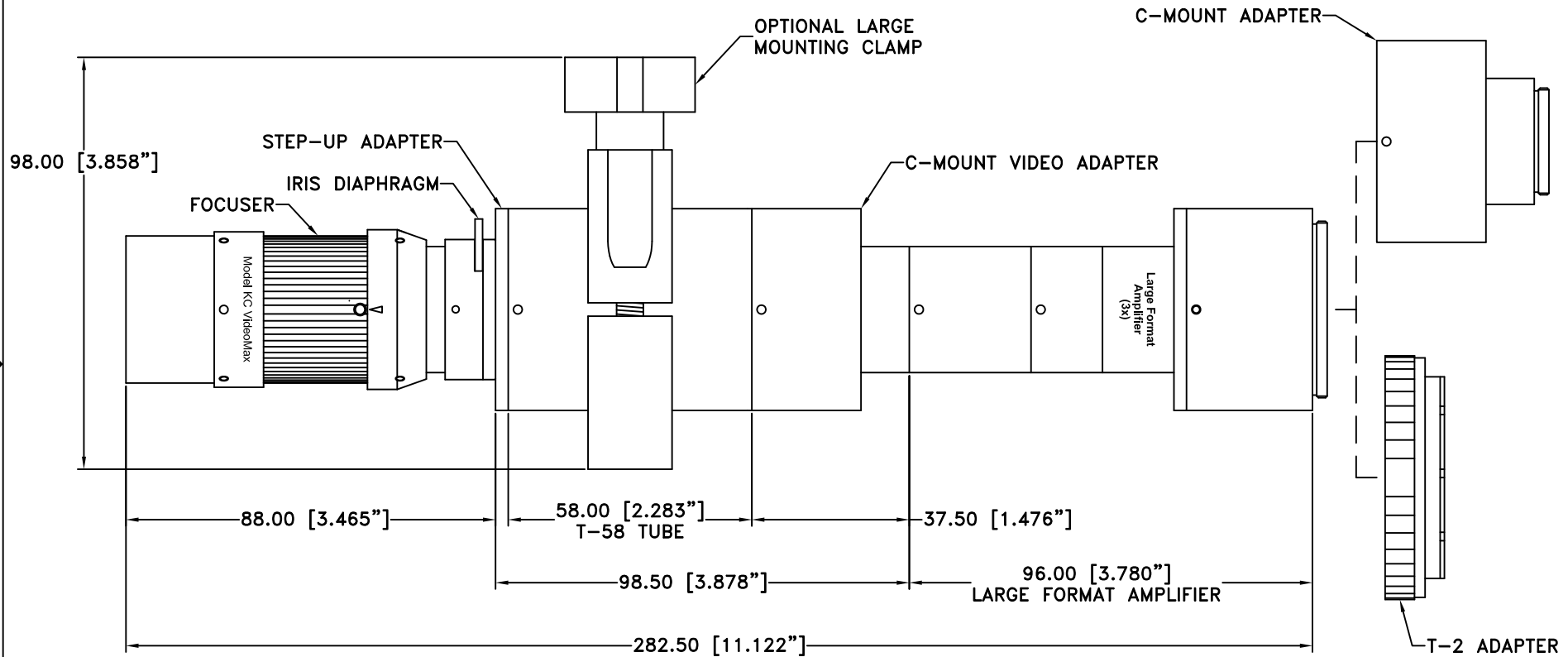
**INFINITY** Photo-Optical Company  
2530 Frontier Ave., Boulder, CO 80301  
303/440-4544 Fax 303/440-4144

**LARGE FORMAT AMPLIFIER**

Date: 06/19/02 MB	SIZE B	FSCM NO.	DWG NO. -	REV B
Modified: 06/07/11 MB	SCALE NONE	-	SHEET 1 OF 1	

**NOTE: THIS DRAWING IS FOR INFORMATIONAL PURPOSES ONLY AND CONVEYS NO OTHER RIGHTS OR PRIVILEGES.**

REVISIONS				
ZONE	REV	DESCRIPTION	DATE	APPROVED



ALL DIM ARE mm [inches] AND ARE FOR REFERENCE ONLY AND ARE SUBJECT TO CHANGE.

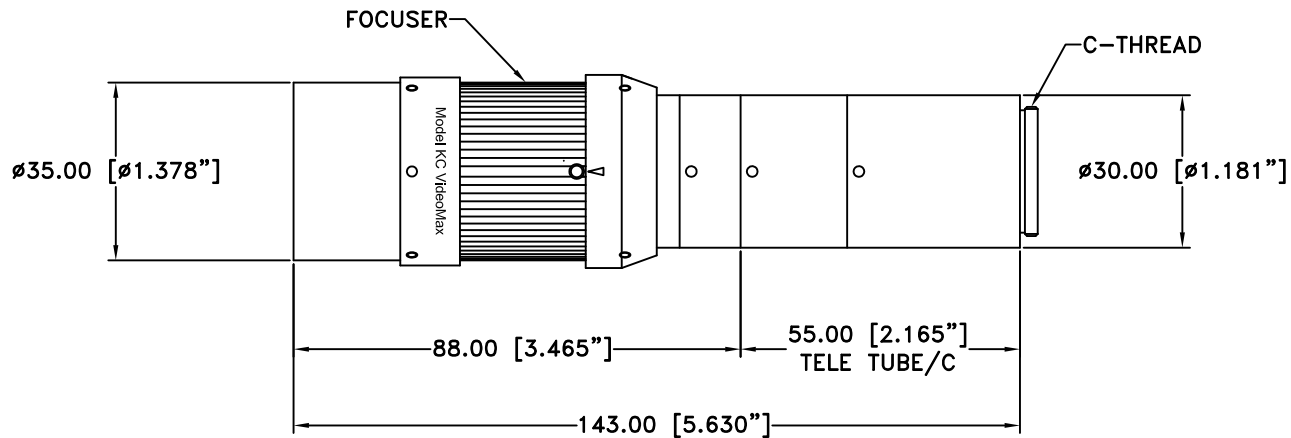
**INFINITY** Photo-Optical Company  
 2530 Frontier Ave., Boulder, CO 80301  
 303/440-4544 Fax 303/440-4144

**MODEL KC VIDEOMAX w/LARGE TUBE SET AND LFA**

Date: 01/02/12 MB	SIZE B	FSCM NO.	DWG NO. -	REV -
Modified:	SCALE NONE	-	SHEET 1 OF 1	

**NOTE: THIS DRAWING IS FOR INFORMATIONAL PURPOSES ONLY AND CONVEYS NO OTHER RIGHTS OR PRIVILEGES.**

REVISIONS				
ZONE	REV	DESCRIPTION	DATE	APPROVED



ALL DIM ARE mm [inches] AND ARE FOR REFERENCE ONLY AND ARE SUBJECT TO CHANGE.

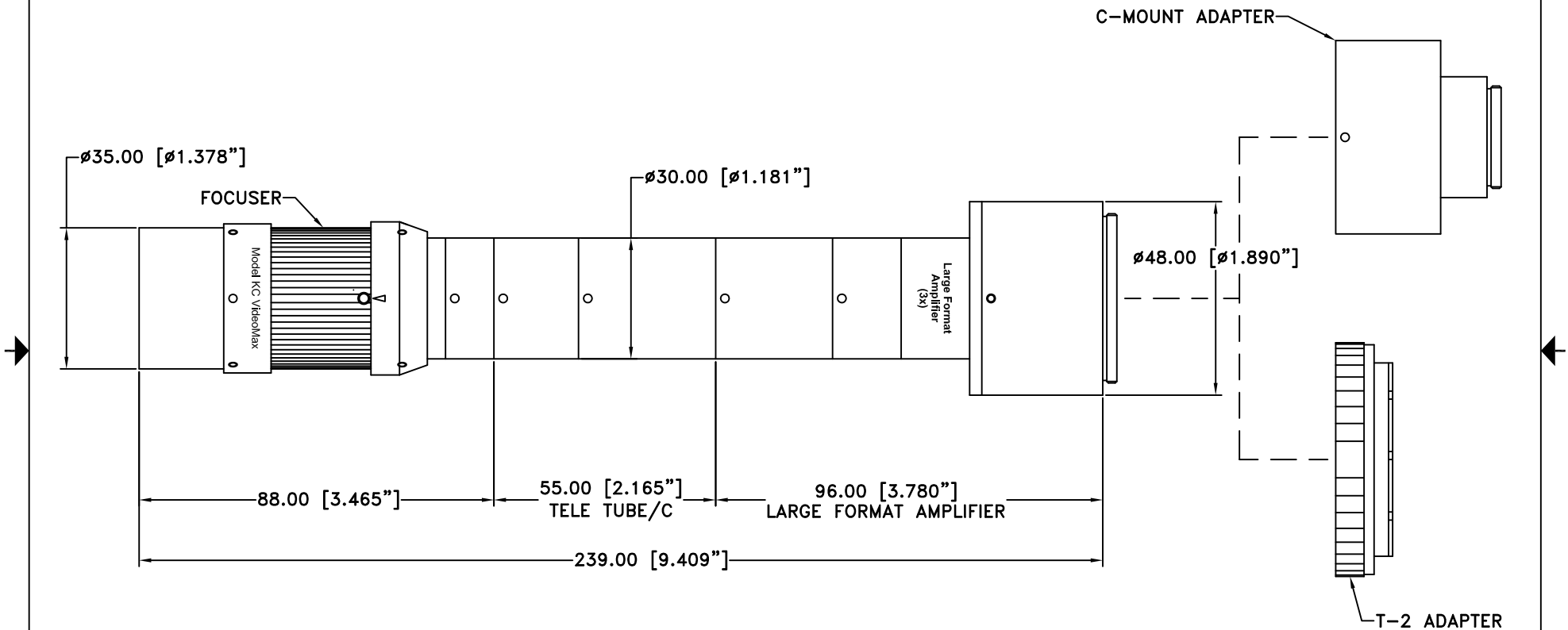
**INFINITY** Photo-Optical Company  
 2530 Frontier Ave., Boulder, CO 80301  
 303/440-4544 Fax 303/440-4144

**MODEL KC VIDEOMAX w/TELE TUBE/C**

Date: 01/02/12 MB	SIZE B	FSCM NO.	DWG NO. -	REV -
Modified:	SCALE NONE	-	SHEET 1 OF 1	

**NOTE: THIS DRAWING IS FOR INFORMATIONAL PURPOSES ONLY AND CONVEYS NO OTHER RIGHTS OR PRIVILEGES.**

REVISIONS				
ZONE	REV	DESCRIPTION	DATE	APPROVED

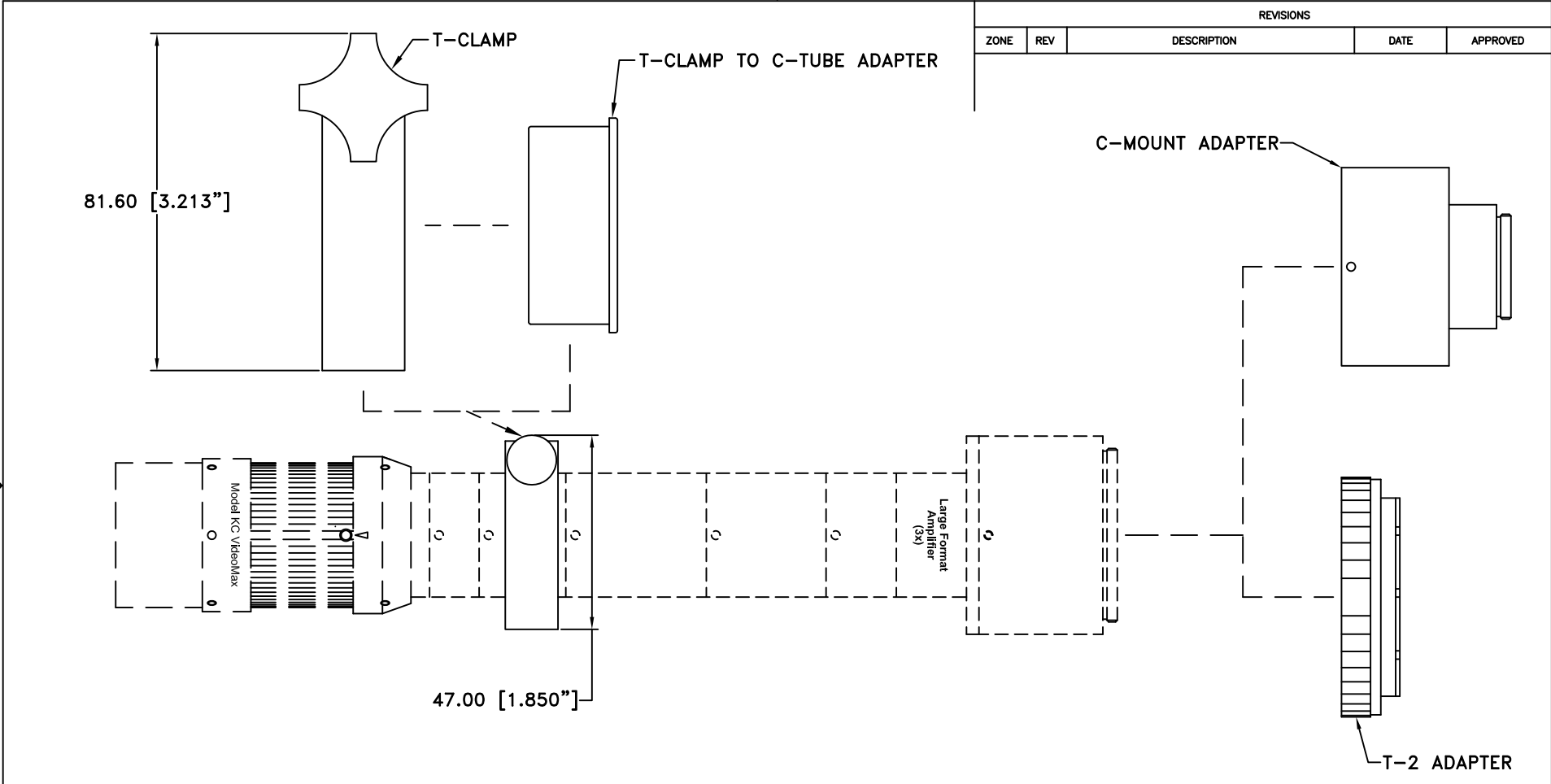


ALL DIM ARE mm [inches] AND ARE FOR REFERENCE ONLY AND ARE SUBJECT TO CHANGE.

**INFINITY** Photo-Optical Company  
 2530 Frontier Ave., Boulder, CO 80301  
 303/440-4544 Fax 303/440-4144

**MODEL KC VIDEOMAX w/TELE TUBE/C AND LFA**

Date: 01/02/12 MB	SIZE B	FSCM NO.	DWG NO. -	REV -
Modified:	SCALE NONE	-	SHEET 1 OF 1	



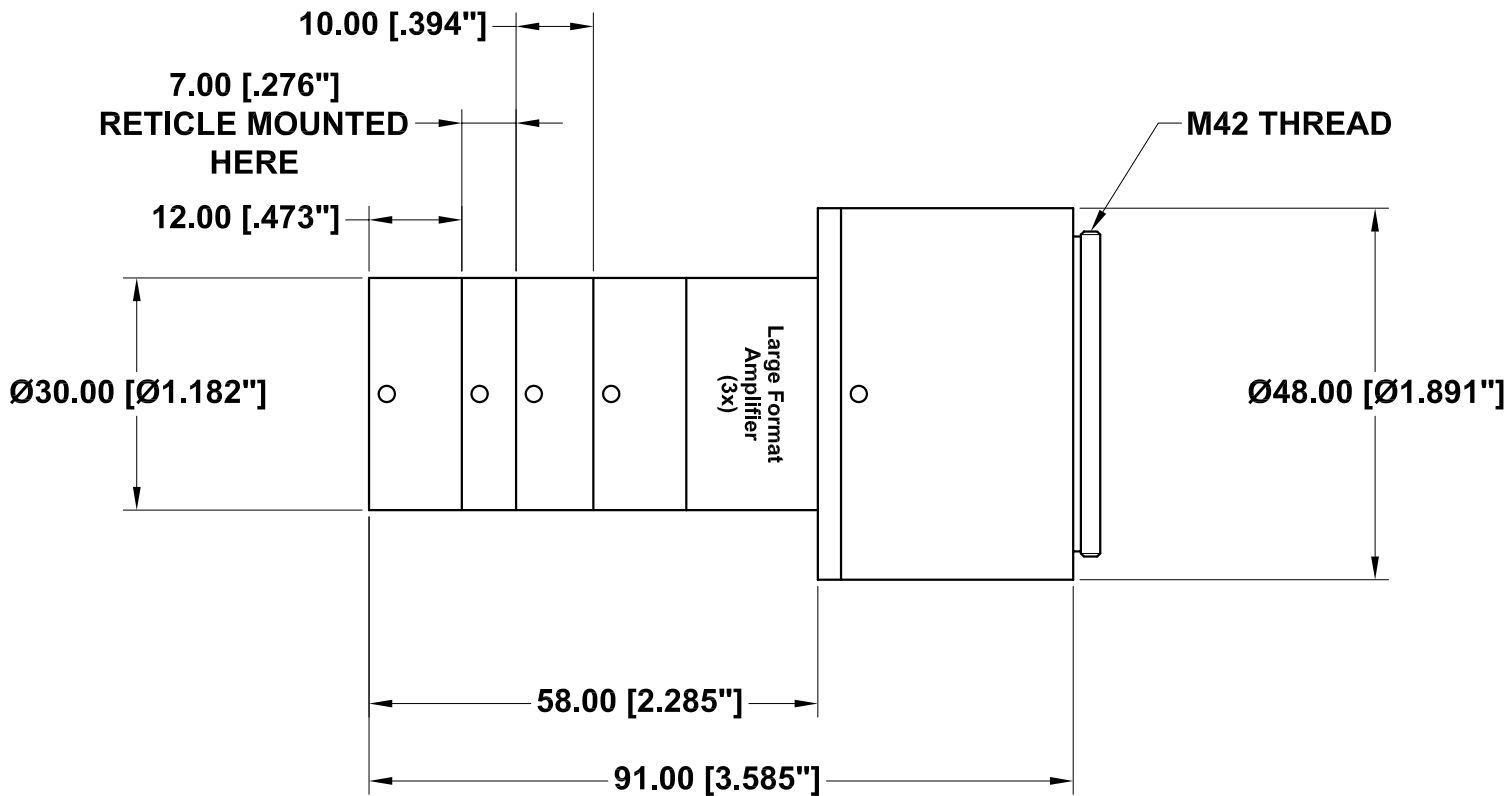
REVISIONS				
ZONE	REV	DESCRIPTION	DATE	APPROVED

**NOTE: THIS DRAWING IS FOR INFORMATIONAL PURPOSES ONLY AND CONVEYS NO OTHER RIGHTS OR PRIVILEGES.**

ALL DIM ARE mm [inches] AND ARE FOR REFERENCE ONLY AND ARE SUBJECT TO CHANGE.		<b>INFINITY</b> Photo-Optical Company 2530 Frontier Ave., Boulder, CO 80301 303/440-4544 Fax 303/440-4144		
		<b>MODEL KC VIDEOMAX w/TELE TUBE/C AND LFA SHOWING CLAMPS</b>		
Date: 01/02/12 MB	SIZE B	FSCM NO.	DWG NO. -	REV -
Modified:	SCALE NONE	-	SHEET 1 OF 1	

This drawing is for informational purposes only.  
No other rights or privileges are granted or implied.

REVISIONS				
ZONE	REV	DESCRIPTION	DATE	APPROVED



**NOTES:**

1. SURFACE ANODIZED BLACK.
2. RETICLE IS MOUNTED INTO C-7 TUBE.

ALL DIM ARE mm [inches] AND ARE FOR REFERENCE ONLY AND ARE SUBJECT TO CHANGE.

Date: 05/11/05 MB

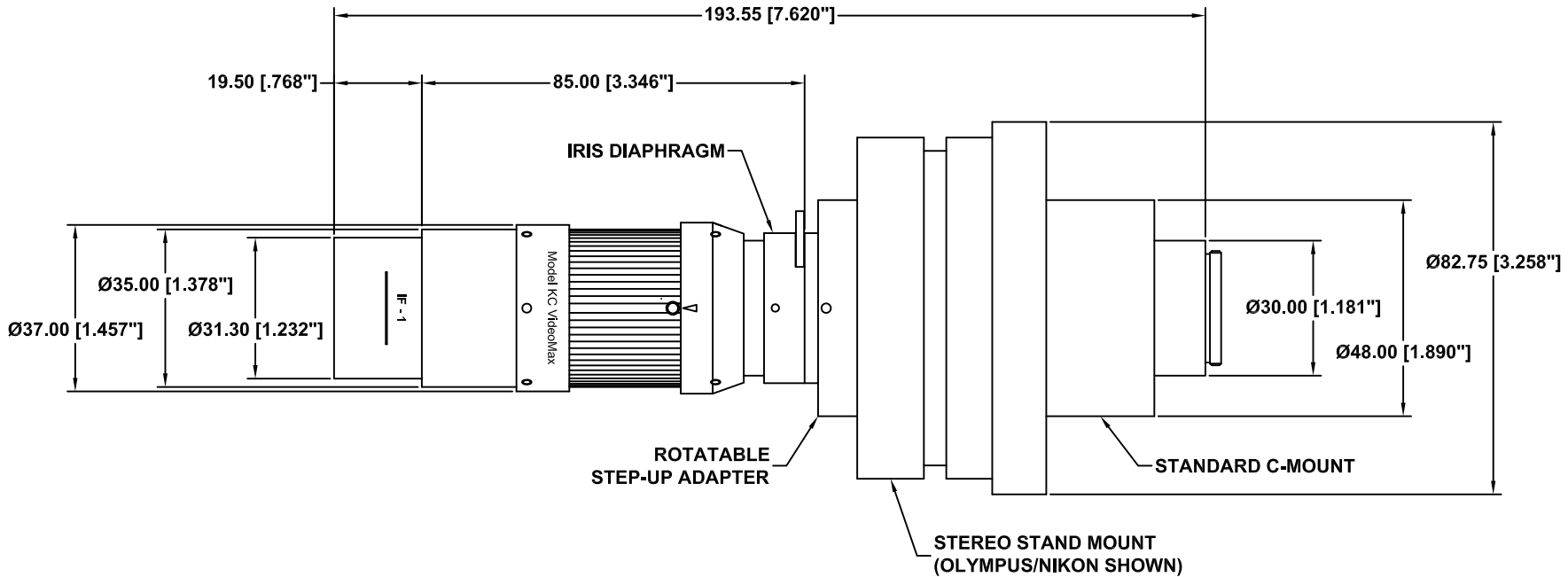
Modified:

**INFINITY** Photo-Optical Company  
2530 Frontier Ave., Boulder, CO 80301  
303/440-4544 Fax 303/440-4144

**LARGE FORMAT AMPLIFIER  
FOR 19mm RETICLES**

SIZE A	FSCM NO.	DWG NO. -	REV -
SCALE NONE	-	SHEET 1 OF 2	

REVISIONS				
ZONE	REV	DESCRIPTION	DATE	APPROVED



**NOTES:**

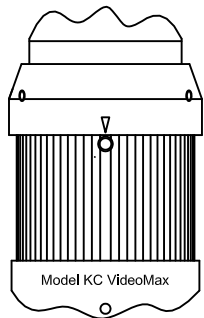
1. FOR USE WITH LARGE FORMAT VIDEO CAMERAS THAT USE T2 ADAPTER (e.g., NIKON "F"-MOUNT), THE C-MOUNT CAN BE REPLACED BY ANY T2 ADAPTER AT THIS POSITION. A PD TUBE OR UNIPAR SHOULD BE USED.
2. IF-SERIES OBJECTIVES CAN BE ADDED TO STANDARD MODEL KC FOR MAGNIFICATION (SEE KC OPTICAL DATA CHART).
3. MODEL KC SHOWN WITH IF-1 OBJECTIVE.

ALL DIM ARE mm [inches] AND ARE FOR REFERENCE ONLY AND ARE SUBJECT TO CHANGE.

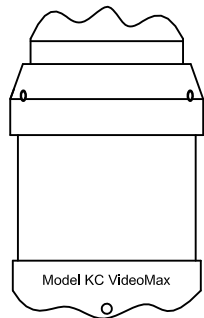
**INFINITY** Photo-Optical Company  
 2530 Frontier Ave., Boulder, CO 80301  
 303/440-4544 Fax 303/440-4144

**MODEL KC VIDEOMAX FOR STEREO STAND MOUNTING**

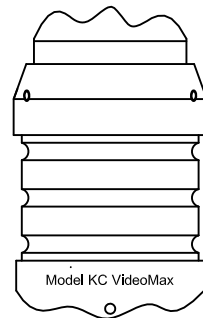
Date: 01/02/12 MB	SIZE B	FSCM NO.	DWG NO. -	REV -
Modified:	SCALE NONE	-	SHEET 1 OF 1	



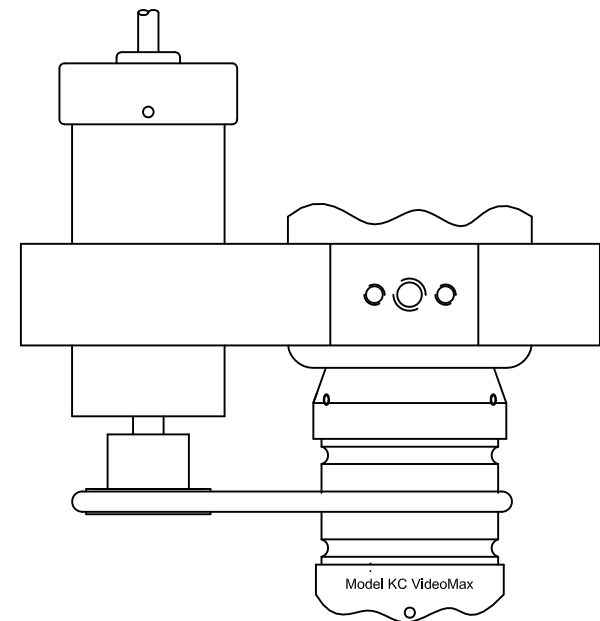
FOCUSER WITH  
FLUTED GRIP



FOCUSER WITH  
SMOOTH BARREL  
FOR GEAR DRIVES



FOCUSER WITH  
O-RING GROOVES



FOCUSER WITH  
MOTOR DRIVE

REVISIONS				
ZONE	REV	DESCRIPTION	DATE	APPROVED

ALL DIM ARE mm  
[inches] AND ARE FOR  
REFERENCE ONLY AND  
ARE SUBJECT TO  
CHANGE.

**INFINITY** Photo-Optical Company  
2530 Frontier Ave., Boulder, CO 80301  
303/440-4544 Fax 303/440-4144

**MODEL KC VIDEOMAX FOCUSER  
CONFIGURATIONS**

Date: 01/02/12 MB	SIZE B	FSCM NO.	DWG NO. -	REV -
Modified:	SCALE NONE	-	SHEET 1 OF 1	

This drawing is for informational purposes only.  
No other rights or privileges are granted or implied.

## **INFINITY PHOTO-OPTICAL COMPANY LIMITED WARRANTY**

INFINITY PHOTO-OPTICAL COMPANY hereby warrants its products to be free from defects in workmanship or materials for the warranty period set forth below. INFINITY PHOTO-OPTICAL COMPANY, at its option, shall repair or replace the defective product without cost to the purchaser, and such repair or replacement shall be the full extent of this express limited warranty. INFINITY PHOTO-OPTICAL COMPANY shall not be liable for any other damages either direct or consequential.

This warranty is made to the original purchaser, and is effective only on new equipment purchased from INFINITY PHOTO-OPTICAL COMPANY, or a dealer authorized by INFINITY PHOTO-OPTICAL COMPANY to sell the product.

This warranty is valid only when the product is returned to the authorized dealer from whom it was purchased, or returned directly to INFINITY PHOTO-OPTICAL COMPANY, freight prepaid, with proof of date of purchase.

This warranty does not extend to any defect, malfunction or failure caused by misuse, abuse or the use of the product with equipment for which it may not have been intended. Any unauthorized repair voids this warranty.

The warranty period for all products manufactured by INFINITY PHOTO-OPTICAL COMPANY is five (5) years from date of original purchase. Parts or components made or sourced from other manufacturers shall be solely covered by that manufacturer's warranty.

The warranty contained herein is the only warranty made by INFINITY PHOTO-OPTICAL COMPANY. Any implied warranty of merchantability and/or fitness for a particular purpose is expressly excluded from this warranty. INFINITY PHOTO-OPTICAL COMPANY shall not be liable for any expense, loss, incidental or consequential damages which may arise in connection with the use of this equipment. Recovery under this warranty is limited to repair or replacement of the equipment as provided above.

INFINITY PHOTO-OPTICAL COMPANY reserves the right to modify designs, equipment and accessories without notice.